



PARTS CATALOGUE



SM12



DPBMC

YZF155 (B2S4) MALAYSIA

YZF155
PARTS CATALOGUE
©2020 by Yamaha Motor Co., Ltd.
1st edition, July 2020
All rights reserved.
Any reprinting or unauthorized use
without the written permission of
Yamaha Motor Co., Ltd.
is expressly prohibited.
Printed in Japan.

FOREWORD

This Parts Catalogue is related to the parts for the model(s) on the cover page. When you are ordering replacement parts, please refer to this Parts Catalogue and quote both part numbers and part names correctly.

1. Modifications or additions which have been made after the issue of the Parts Catalogue will be announced in the Parts News.
It is advisable that you make the necessary corrections to the Parts Catalogue according to the Parts News.

2. Abbreviations

The following abbreviations are used in this Parts Catalogue.

“UR” Use specified parts number.

“UN” Use as many as needed.

“AP” Alternate Parts

“LM” Locally Made (Parts need to be ordered locally)

“F#” Frame No. (Applicable machine No.)

“O/S” Over Size

3. The number of components for assembly

- Parts, which are to be supplied in an assembly, are listed with a dot (.) in front of the part name as shown below.
- The numeral appearing to the right of each component part indicates the quantity of parts for each assembly unit.

PART NO.	DESCRIPTION	Q'TY	REMARKS
2F5-83310-60	FRONT FLASHER LIGHT ASSY	2	
115-83311-60	.BULB (6V-18W)	1	

4. Applicable colours of graphics are represented in the “REMARKS” as shown below.

PART NO.	DESCRIPTION	Q'TY	REMARKS
2N4-24110-00-X5	FUEL TANK COMP.	2	MXR
3J1-24240-10	.GRAPHIC, FUEL TANK	1	FOR MXR

5. Note that the illustrations for reference in finding parts numbers are not to be used for assembling. When assembling, please use the applicable service manual.

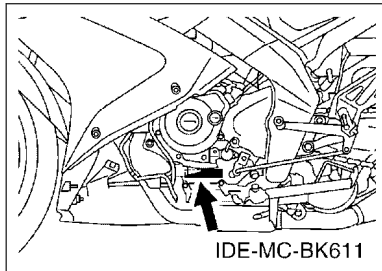
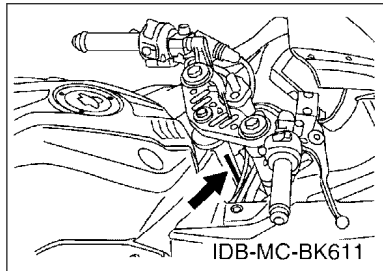
6. The asterisk (*) before a reference number indicates modified items after the first edition.

FOREWORD

7. Applicable Serial No.

Frame Serial No.

Engine Serial No.



8. Applicable Colour Code (The (*) mark shows Model colour.)

Abbreviation	Colour Name	Colour Code
CIS	CIRCUIT SILVER	00WN
DPBM15	DEEP PURPLISH BLUE METALLIC 15	1329
DPBMC(*)	DEEP PURPLISH BLUE METALLIC C	0564
LLGS6	LIGHT LEAF GREEN SOLID 6	1510
MBL2	MAT BLACK 2	0582
MBNM3	MAT BLUISH GRAY METALLIC 3	1758
MS1(*)	MAT SILVER 1	1160
SM12(*)	BLACK METALLIC 12	1723
YB	YAMAHA BLACK	0033

9. Applicable Starting Serial No.

Frame Serial No.

Serial No.	Name Of Q'ty Column	Model Code

Engine Serial No.

Serial No.	Name Of Q'ty Column	Model Code

CONTENTS

ENGINE

CYLINDER HEAD.....	1
CRANKSHAFT & PISTON.....	2
VALVE.....	4
CAMSHAFT & CHAIN.....	5
WATER PUMP.....	6
RADIATOR & HOSE.....	7
OIL PUMP.....	8
INTAKE.....	9
EXHAUST.....	11
CRANKCASE.....	12
CRANKCASE COVER 1.....	13
STARTER CLUTCH.....	14
CLUTCH.....	15
TRANSMISSION.....	17
SHIFT CAM & FORK.....	19
SHIFT SHAFT.....	20

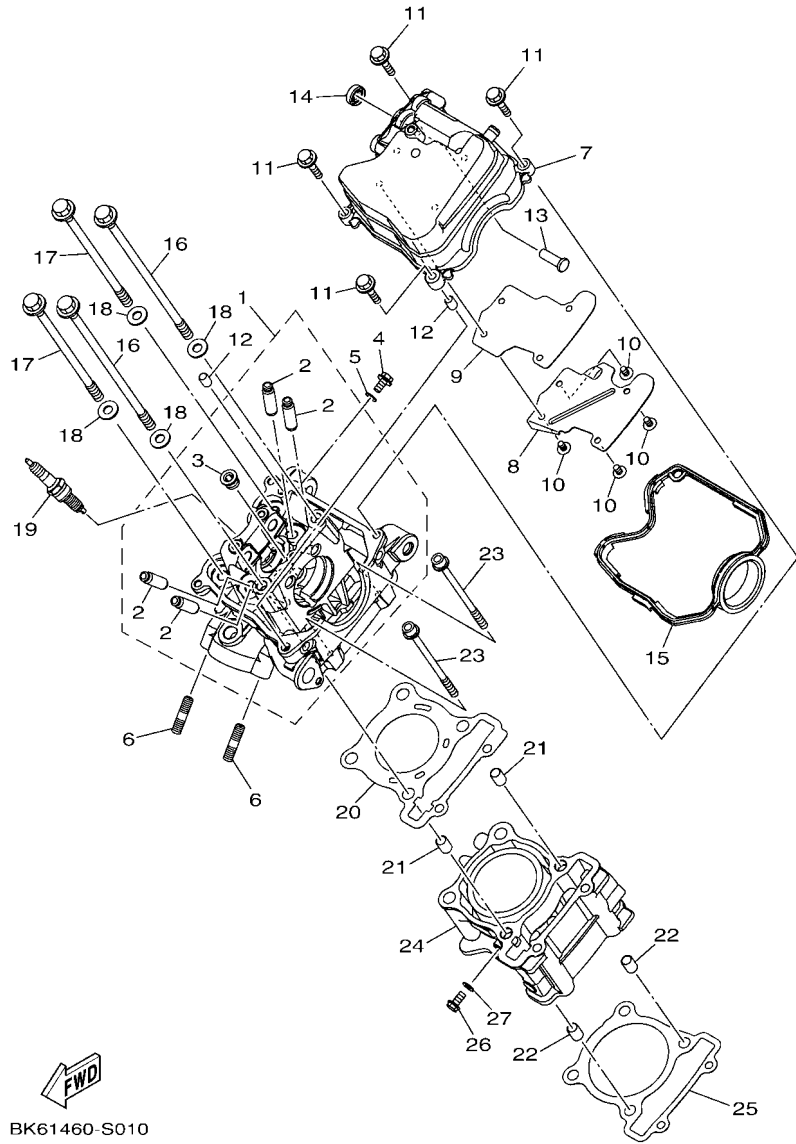
CHASSIS

FRAME.....	21
FENDER.....	22
SIDE COVER.....	24
REAR ARM & SUSPENSION.....	26
STEERING.....	27
FRONT FORK.....	28
FUEL TANK.....	30
SEAT.....	33
FRONT WHEEL.....	34
FRONT BRAKE CALIPER.....	35
REAR WHEEL.....	36
REAR BRAKE CALIPER.....	37
STEERING HANDLE & CABLE.....	38
FRONT MASTER CYLINDER.....	39
STAND & FOOTREST.....	40
REAR MASTER CYLINDER.....	42
LEG SHIELD.....	43
WINDSHIELD.....	45
GENERATOR.....	48
STARTING MOTOR.....	49
FLASHER LIGHT.....	50

METER.....	52
HEADLIGHT.....	53
TAILLIGHT.....	54
HANDLE SWITCH & LEVER.....	55
ELECTRICAL 1.....	56
ELECTRICAL 2.....	57

INDEX

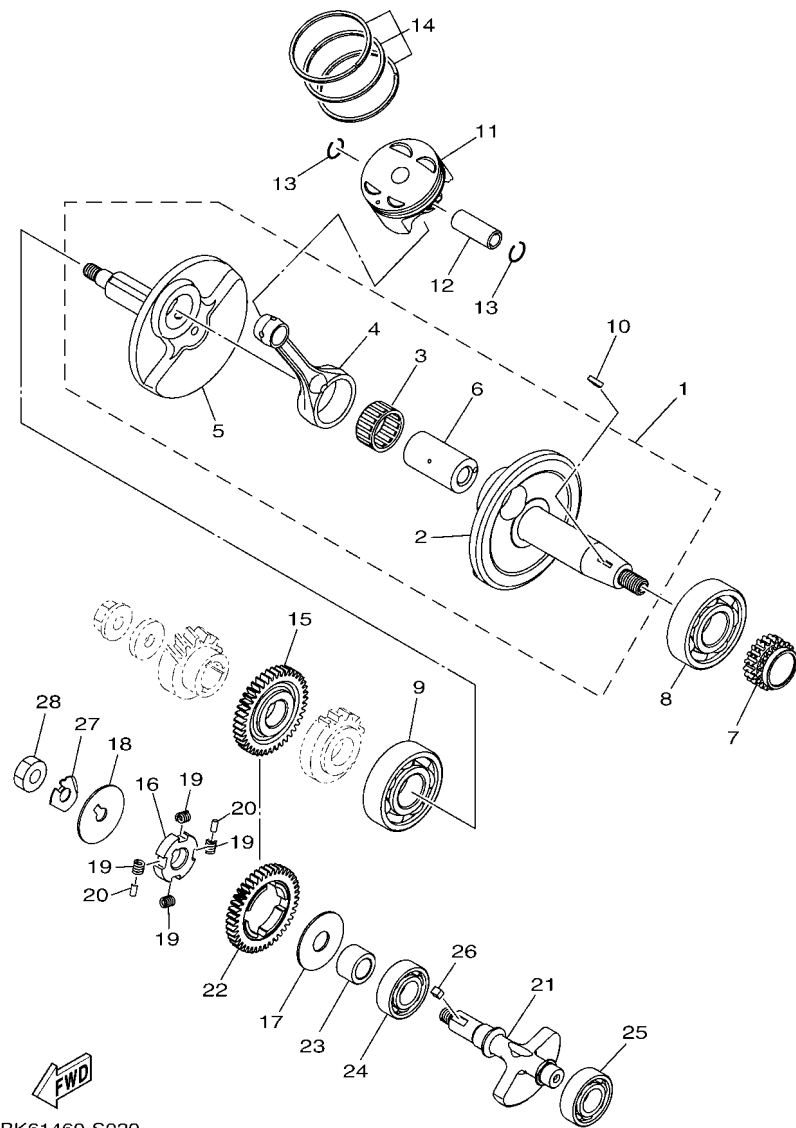
NUMERICAL INDEX.....	59
----------------------	----



BK61460-S010

FIG. 1 CYLINDER HEAD

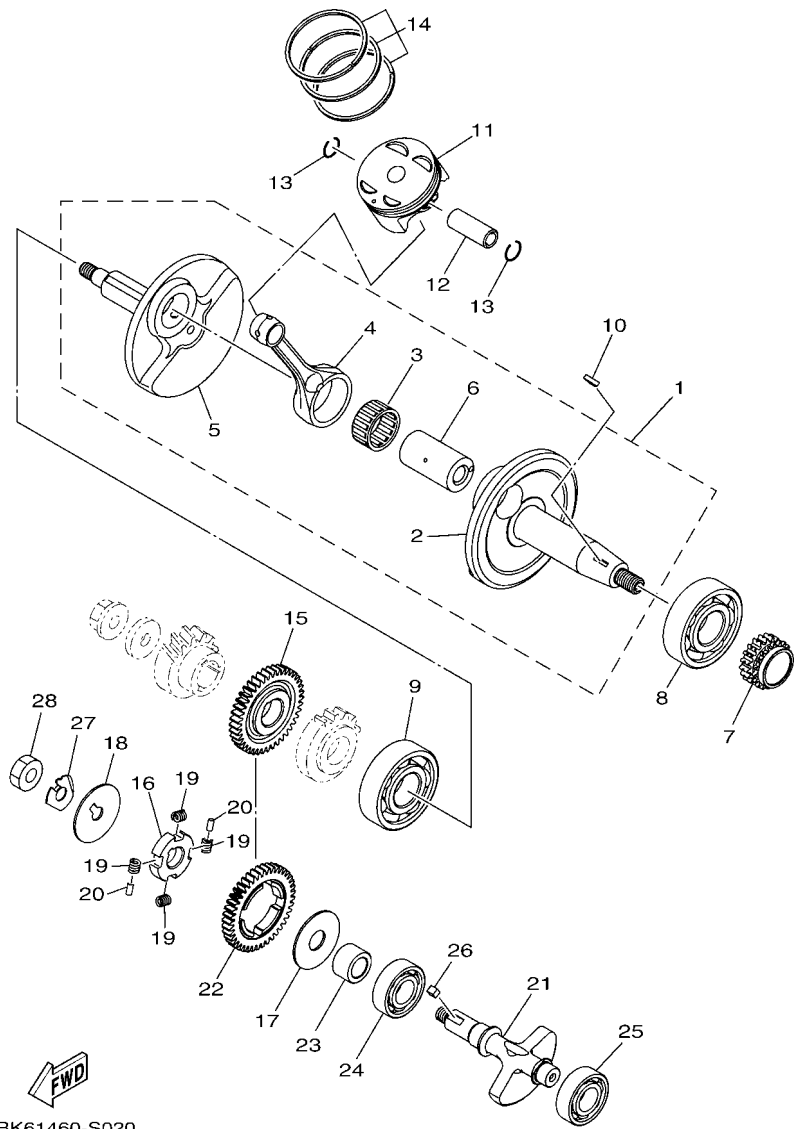
REF. NO.	PART NO.	DESCRIPTION	B2S4	REMARKS
1	BK6-E1102-00	CYLINDER HEAD ASSY	1	
2	2DP-E1133-10	.GUIDE, VALVE 1	4	
3	90340-12813	.PLUG, STRAIGHT SCREW	1	
4	95022-06010	BOLT, FLANGE	1	
5	90430-06014	GASKET	1	
6	95612-08618	BOLT, STUD	2	
7	BK6-E1191-00	COVER, CYLINDER HEAD 1	1	
8	BK6-E1165-00	PLATE, BREATHER	1	
9	BK6-E1169-00	GASKET, BREATHER COVER	1	
10	90149-05801	SCREW	4	
11	95022-06030	BOLT, FLANGE	4	
12	99530-08012	PIN, DOWEL	2	
13	BK6-E132G-00	ROD 1	1	
14	93102-08800	OIL SEAL	1	
15	B3F-E1193-00	GASKET, HEAD COVER 1	1	
16	BK6-E1361-00	BOLT, CYLINDER HOLDING 1	2	
17	BK6-E1362-00	BOLT, CYLINDER HOLDING 2	2	
18	90201-08859	WASHER, PLATE	4	
19	94700-00439	PLUG, SPARK (NGK MR8E-9)	1	
20	2DP-E1181-00	GASKET, CYLINDER HEAD 1	1	
21	91810-14809	PIN, DOWEL	2	
22	91810-14809	PIN, DOWEL	2	
23	90110-06378	BOLT, HEXAGON SOCKET HEAD	2	
24	2DP-E1311-10	CYLINDER 1	1	
25	BK6-E1351-00	GASKET, CYLINDER	1	
26	95022-06010	BOLT, FLANGE	1	
27	90430-06014	GASKET	1	



BK61460-S020

FIG. 2 CRANKSHAFT & PISTON

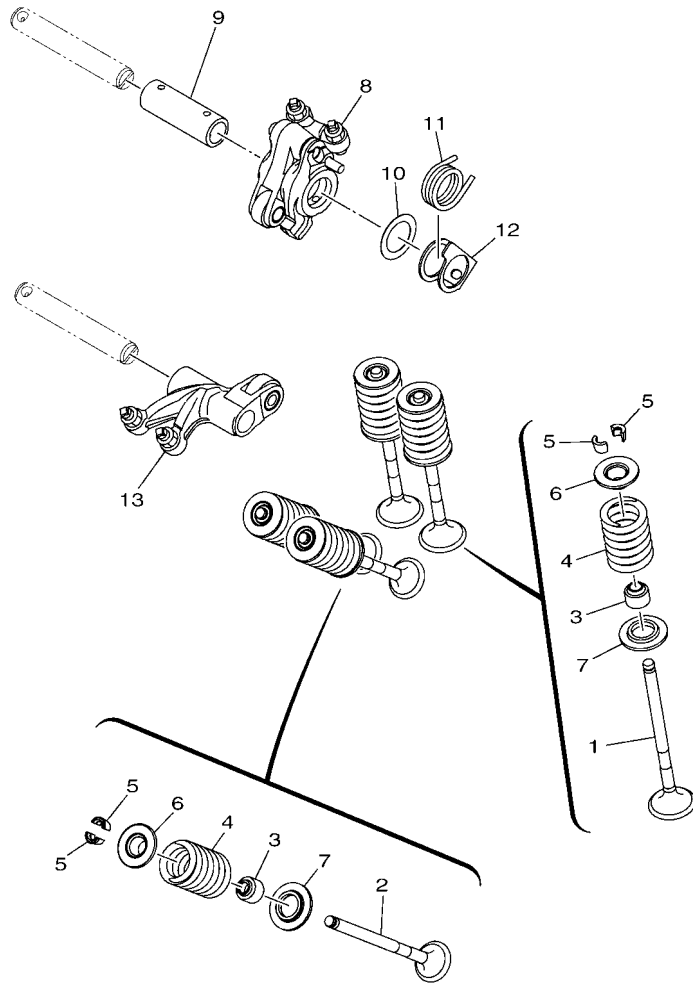
REF. NO.	PART NO.	DESCRIPTION	B2S4				REMARKS
1	BK6-E1400-00	CRANKSHAFT ASSY	1				
2	BK6-E1412-00	.CRANK 1	1				
3	93310-526YT	.BEARING	1				
4	BK6-E1651-00	.ROD, CONNECTING	1				
5	BK6-E1422-00	.CRANK 2	1				
6	BK6-E1681-00	.PIN, CRANK 1	1				
7	BK6-E1549-00	SPROCKET, CAM CHAIN	1				
8	93306-305X7	BEARING	1				
9	93306-305XV	BEARING	1				
10	90280-03017	KEY, WOODRUFF	1				
11	BK6-E1631-00	PISTON (STD)	1				
12	2DP-E1633-00	PIN, PISTON	1				
13	93450-16115	CIRCLIP	2				
14	BK6-E1603-00	PISTON RING SET (STD)	1				
15	BK6-E1536-00	GEAR, DRIVE	1				
16	21C-E1496-20	BOSS, BUFFER	1				
17	90201-15821	WASHER, PLATE	1				
18	90214-10800	WASHER, CLAW	1				
19	90501-16800	SPRING, COMPRESSION	4				
20	93604-08800	PIN, DOWEL	2				
21	BK7-E1454-00	WEIGHT 1	1				
22	BK6-E1531-10	GEAR, BALANCE WEIGHT	1				
23	90387-15810	COLLAR	1				
24	93306-203XK	BEARING	1				
25	93306-203XK	BEARING	1				
26	90282-05031	KEY, STRAIGHT	1				
27	90215-10803	WASHER, LOCK	1				



BK61460-S020

FIG. 2 CRANKSHAFT & PISTON

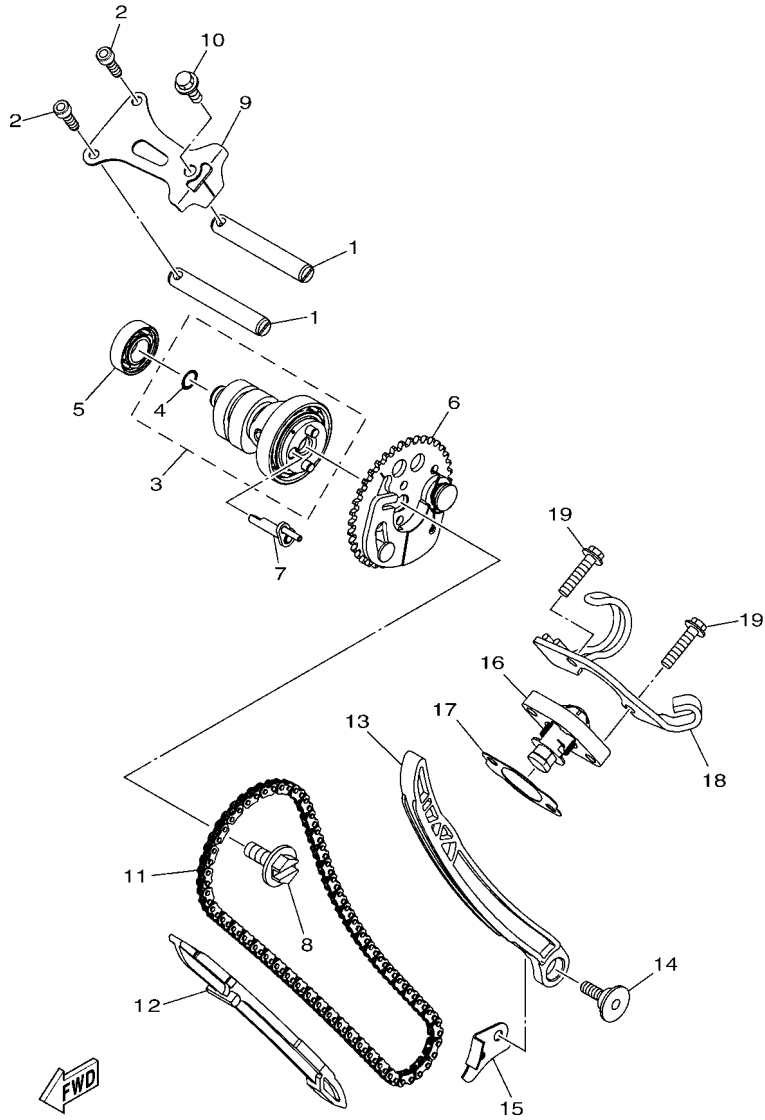
REF. NO.	PART NO.	DESCRIPTION	B2S4				REMARKS
28	90170-10012	NUT	1				



BK62460-S030

FIG. 3 VALVE

REF. NO.	PART NO.	DESCRIPTION	B2S4				REMARKS
1	BK6-E2111-00	VALVE, INTAKE	2				
2	BK6-E2121-00	VALVE, EXHAUST	2				
3	54P-E2119-00	SEAL, VALVE STEM	4				
4	B63-E2113-00	SPRING, VALVE INNER	4				
5	5TL-E2118-00	LOCK, VALVE SPRING RETAINER	8				
6	2DP-E2117-00	RETAINER, VALVE SPRING	4				
7	50C-E2126-00	SEAT, VALVE SPRING 2	4				
8	BK6-E2150-00	VALVE ROCKER ARM ASSY	1				
9	BK6-E2166-00	SHAFT, ROCKER 3	1				
10	BK6-E1557-00	WASHER 1	1				
11	BK6-E2226-00	SPRING, COIL	1				
12	BK6-E2279-00	PLATE	1				
13	BK6-E2160-00	VALVE ROCKER ARM ASSY 2	1				

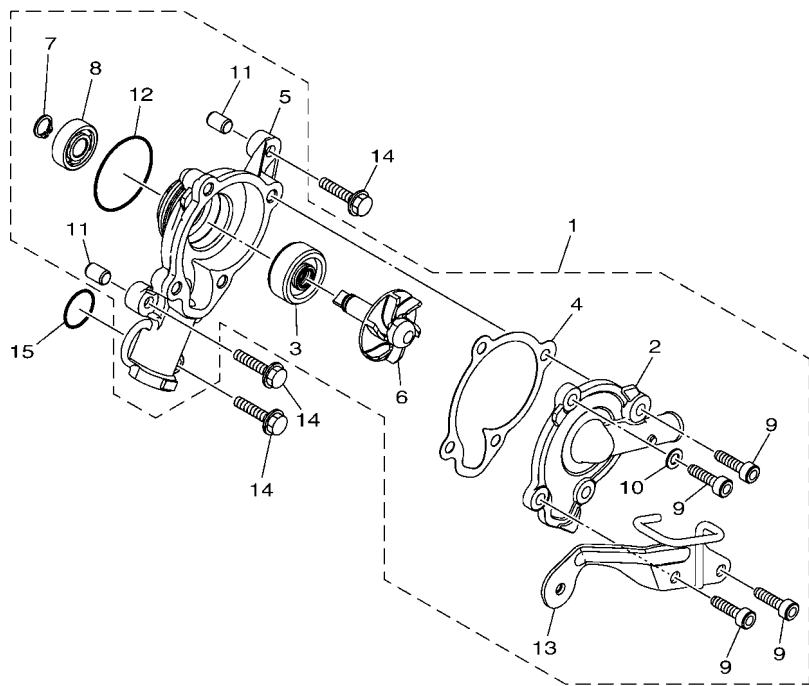


BK61460-S040

FIG. 4 CAMSHAFT & CHAIN

REF. NO.	PART NO.	DESCRIPTION	B2S4				REMARKS
1	21C-E2156-00	SHAFT, ROCKER 2	2				
2	91312-05016	BOLT, HEXAGON SOCKET HEAD	2				
3	BK6-E2170-01	CAMSHAFT ASSY 1	1				
4	93210-09806	.O-RING	1				
5	93306-001YJ	BEARING	1				
6	BK6-E2280-00	DECOMPRESSION ASSY	1				
7	BK6-E2288-00	CAM, DECOMPRESSION	1				
8	5YP-E2157-01	BOLT	1				
9	2DP-E111F-00	PLATE	1				
10	95022-06014	BOLT, FLANGE	1				
11	94568-J9096	CHAIN	1				
12	B65-E2231-00	GUIDE, STOPPER 1	1				
13	BK6-E2241-00	GUIDE, STOPPER 2	1				
14	54P-E2228-00	BOLT	1				
15	BK6-E2256-00	COVER, CHAIN	1				
16	2PV-E2210-01	TENSIONER ASSY, CAM CHAIN	1				
17	BK6-E2213-00	GASKET, TENSIONER CASE	1				
18	BK6-E5441-00	HOLDER, CLUTCH CABLE	1				
19	95022-06025	BOLT, FLANGE	2				

FIG. 5 WATER PUMP

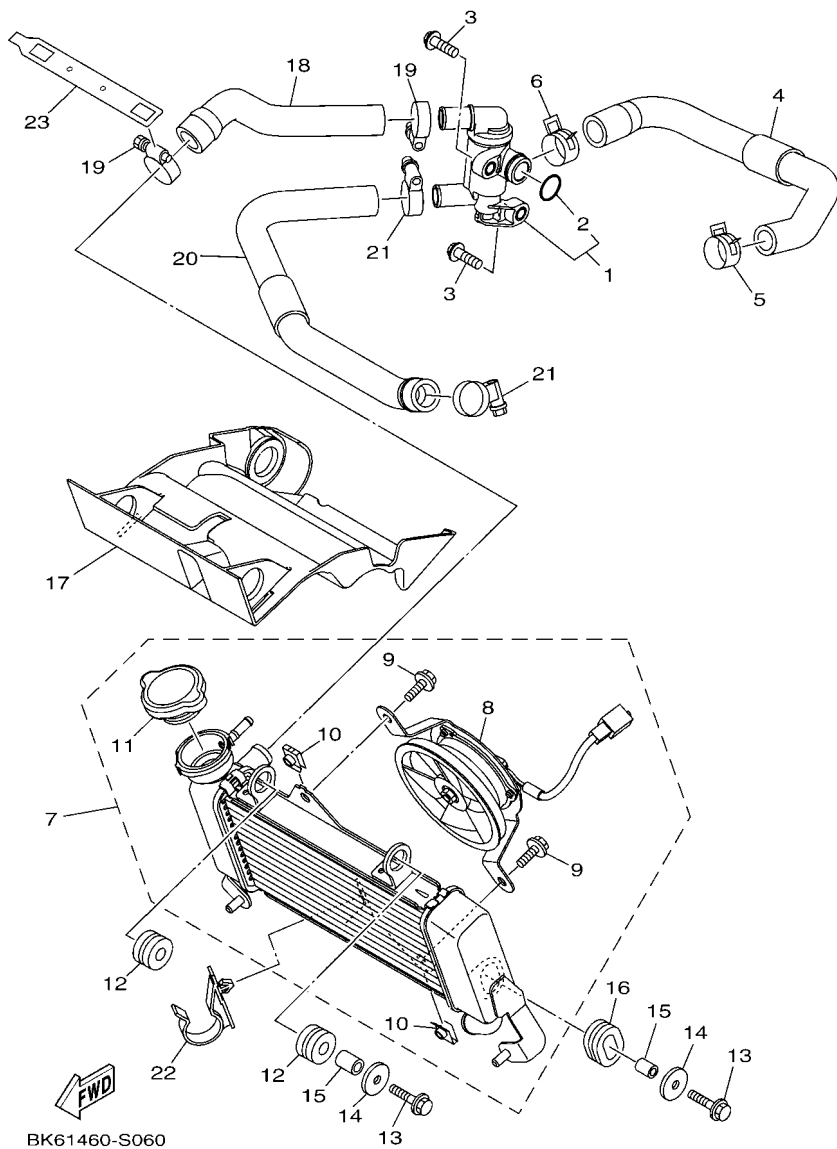


REF. NO.	PART NO.	DESCRIPTION	B2S4				REMARKS
1	BK6-E2420-00	WATER PUMP ASSY	1				
2	BK7-E2422-00	.COVER, HOUSING	1				
3	93103-10801	.OIL SEAL	1				
4	2DP-E2428-00	.GASKET, HOUSING COVER 2	1				
5	BK7-E1185-00	.COVER, CYLINDER HEAD SIDE 3	1				
6	BK7-E2450-00	.IMPELLER SHAFT ASSY	1				
7	BK7-E2842-00	.CIRCLIP	1				
8	93306-000Y3	.BEARING	1				
9	BK7-E2615-00	.BOLT	4				
10	BK7-E2435-00	.GASKET	1				
11	BK7-E3516-00	.PIN, DOWEL	2				
12	93210-39803	.O-RING	1				
13	BK7-E2443-00	.STAY	1				
14	95022-06025	BOLT, FLANGE	3				
15	93210-19809	O-RING	1				



B0C4422-U050

FIG. 6 RADIATOR & HOSE



REF. NO.	PART NO.	DESCRIPTION	B2S4				REMARKS
1	BK6-E2410-00	THERMOSTAT ASSY	1				
2	52S-12439-00	.O-RING	1				
3	95022-06020	BOLT, FLANGE	2				
4	BK6-E2483-00	PIPE 3	1				
5	90467-19803	CLIP	1				
6	90467-20806	CLIP	1				
7	BK6-E2460-00	RADIATOR ASSY	1				
8	BK6-E2405-00	.BLOWER ASSY	1				
9	5YP-E2675-00	.BOLT, BLOWER HOLDING	2				
10	5YP-E2671-00	.NUT 1	2				
11	5P0-E2590-00	.CONDUCTION ASSY	1				
12	90480-15363	GROMMET	2				
13	95D32-06025	BOLT, FLANGE DEEP RECESS	2				
14	90201-06880	WASHER, PLATE	2				
15	90387-064W3	COLLAR	2				
16	90480-01803	GROMMET	1				
17	BK6-E2467-00	COVER, RADIATOR	1				
18	BK6-E2481-00	PIPE 1	1				
19	90450-27806	HOSE CLAMP ASSY	2				
20	BK6-E2482-00	PIPE 2	1				
21	90450-27806	HOSE CLAMP ASSY	2				
22	3C1-F1338-00	CLAMP	1				
23	BK6-E246E-00	COVER 2	1				

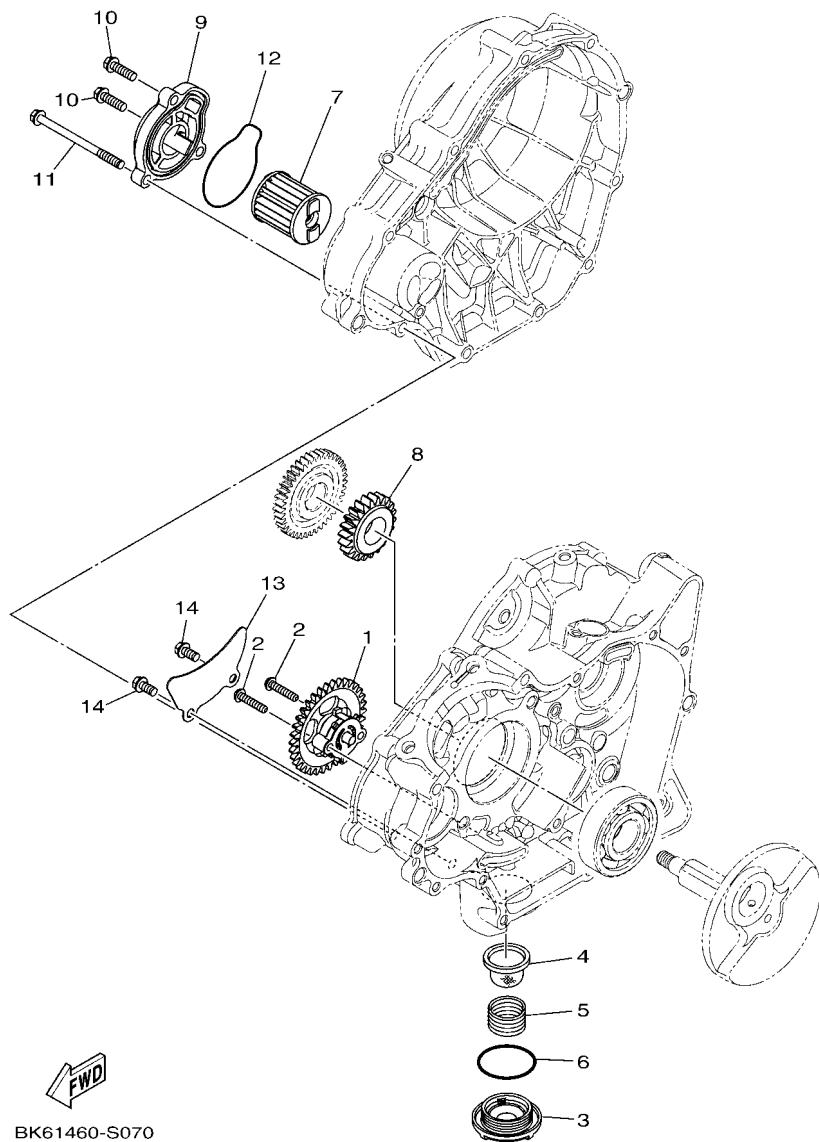
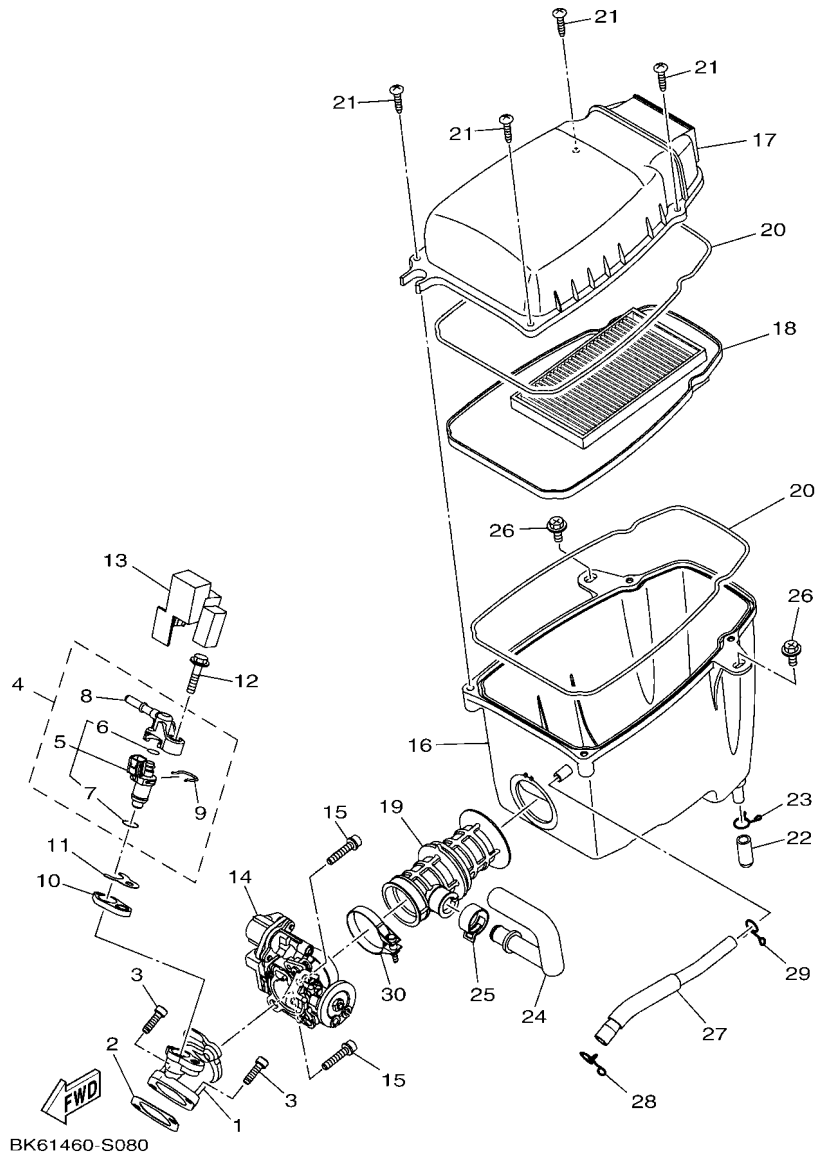


FIG. 7 OIL PUMP

REF. NO.	PART NO.	DESCRIPTION	B2S4	REMARKS
1	BK6-E3300-00	OIL PUMP ASSY	1	
2	90111-05808	BOLT,HEX. SOCKET BUTTON	2	
3	1S7-E5351-00	PLUG, DRAIN	1	
4	38B-E3411-00	STRAINER, OIL	1	
5	90501-18576	SPRING, COMPRESSION	1	
6	93210-34802	O-RING	1	
7	38B-E3440-00	ELEMENT ASSY, OIL CLEANER	1	
8	2PV-E3324-00	GEAR, PUMP DRIVE	1	
9	2PK-E3447-00	COVER, OIL ELEMENT	1	
10	95E32-06020	BOLT, FLANGE DEEP RECESS	2	
11	95E32-06080	BOLT, FLANGE DEEP RECESS	1	
12	93210-54805	O-RING	1	
13	3C1-E3327-00	COVER, PUMP GEAR	1	
14	95E32-06012	BOLT, FLANGE DEEP RECESS	2	

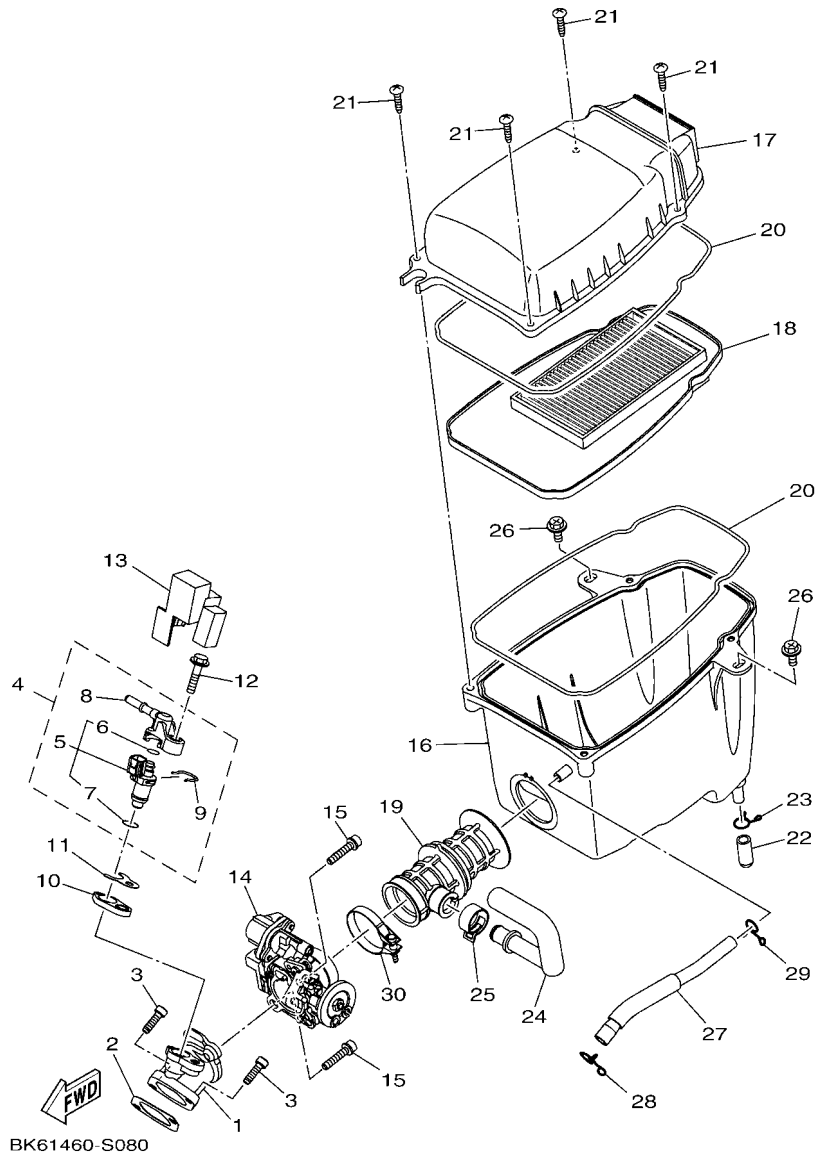


BK61460-S080

FIG. 8 INTAKE

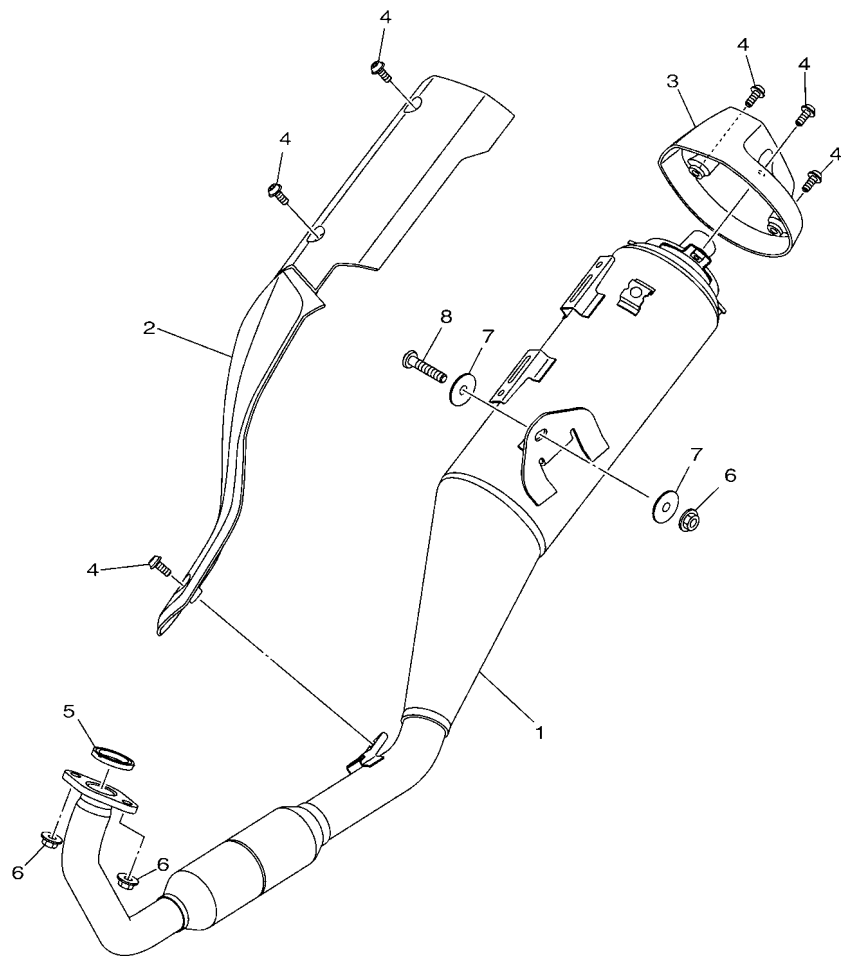
REF. NO.	PART NO.	DESCRIPTION	B2S4				REMARKS
1	BK6-E3585-00	MANIFOLD	1				
2	BK6-E4199-00	GASKET	1				
3	91312-06020	BOLT, HEXAGON SOCKET HEAD	2				
4	BK6-E3770-00	INJECTOR ASSY	1				
5	BK6-E3761-00	.INJECTOR	1				
6	54P-E4147-00	.O-RING	1				
7	5CA-E4147-00	.O-RING	1				
8	54P-E3938-00	.PIPE	1				
9	54P-E4137-00	.CLIP	1				
10	2FB-E3556-00	GASKET, MANIFOLD	1				
11	BK6-E3557-00	GASKET	1				
12	95812-06030	BOLT, FLANGE	1				
13	BK6-E3767-00	CAP, INJECTOR	1				
14	BK6-E3750-00	THROTTLE BODY ASSY	1				
15	90110-06846	BOLT, HEXAGON SOCKET HEAD	2				
16	BK6-E4411-01	CASE, AIR CLEANER 1	1				
17	BK6-E4412-00	CAP, CLEANER CASE 1	1				
18	BK6-E4450-00	ELEMENT ASSY, AIR CLEANER	1				
19	BK6-E4453-00	JOINT, AIR CLEANER 1	1				
20	BK6-E4452-00	SEAL	2				
21	97707-50025	SCREW, TAPPING	4				
22	5TL-E443E-00	PIPE, DRAIN	1				
23	90467-12800	CLIP	1				
24	BK6-E441J-00	PIPE, SILENCER	1				
25	90467-20804	CLIP	1				
26	90119-06051	BOLT, WITH WASHER	2				
27	BK7-E1166-00	PIPE, BREATHER 1	1				

FIG. 8 INTAKE



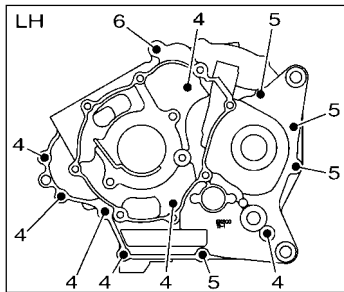
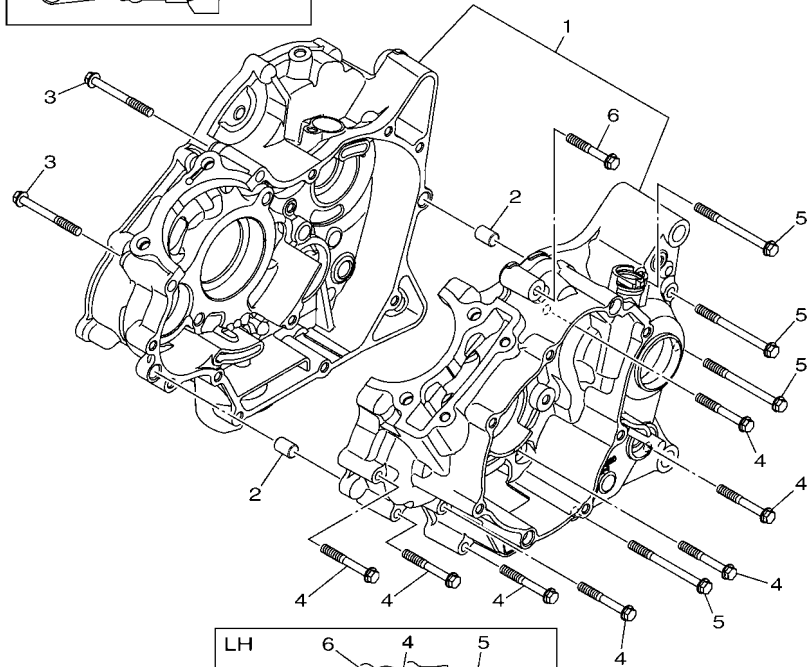
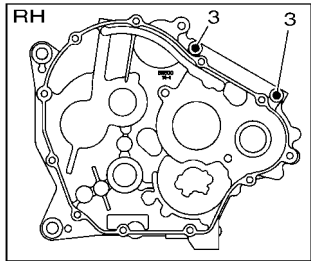
REF. NO.	PART NO.	DESCRIPTION	B2S4				REMARKS
28	90467-12052	CLIP	1				
29	90467-11825	CLIP	1				
30	90450-43805	HOSE CLAMP ASSY	1				

FIG. 9 EXHAUST




BK61460-S090

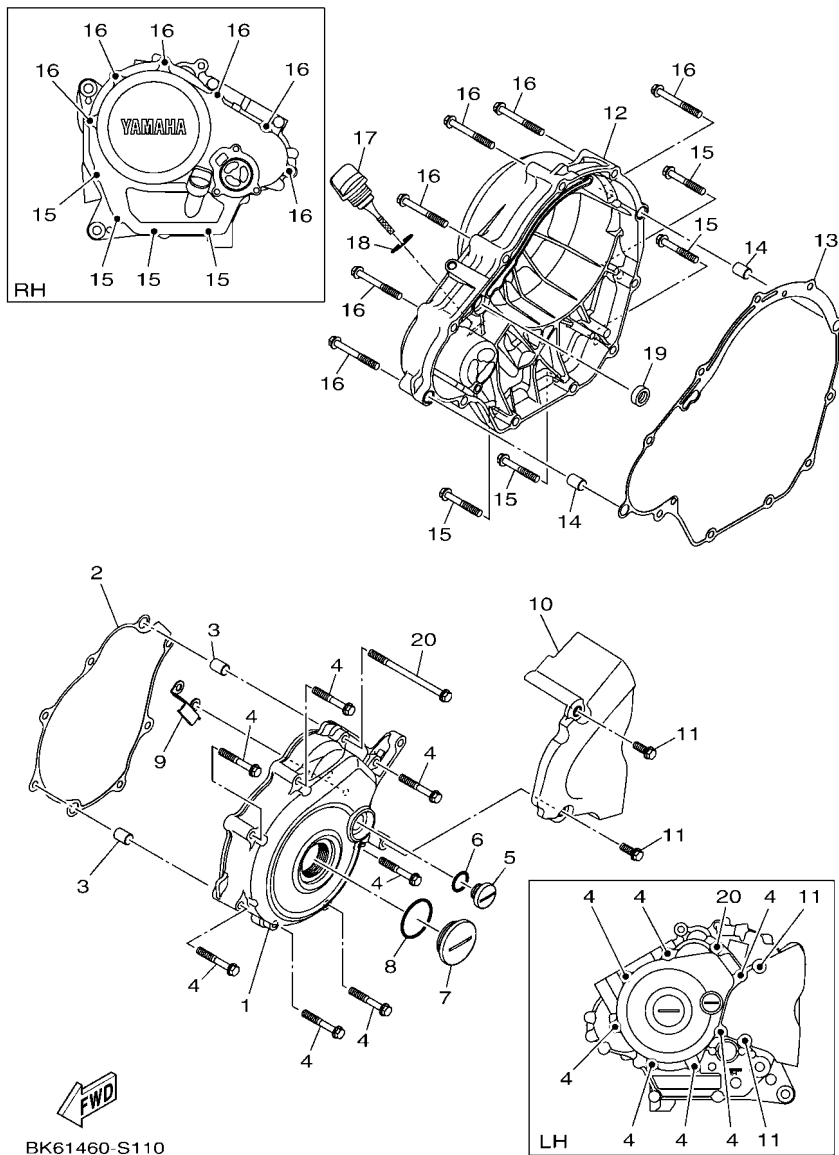
REF. NO.	PART NO.	DESCRIPTION	B2S4				REMARKS
1	BK6-E4703-20	MUFFLER COMP. 1	1				
2	BK6-E4718-00	PROTECTOR, MUFFLER 1	1				
3	BK6-E4799-00	CAP	1				
4	90111-06807	BOLT,HEX. SOCKET BUTTON	6				
5	BK7-E4613-00	GASKET, EXHAUST PIPE	1				
6	95702-08500	NUT, FLANGE	3				
7	90201-08612	WASHER, PLATE	2				
8	90149-08220	SCREW	1				



BK61460-S100

FIG. 10 CRANKCASE

REF. NO.	PART NO.	DESCRIPTION	B2S4	REMARKS
1	BK6-E5150-00	CRANKCASE ASSY	1	
2	91810-14809	PIN, DOWEL	2	
3	95022-06055	BOLT, FLANGE	2	
4	95022-06045	BOLT, FLANGE	7	
5	95022-06070	BOLT, FLANGE	4	
6	95022-06040	BOLT, FLANGE	1	



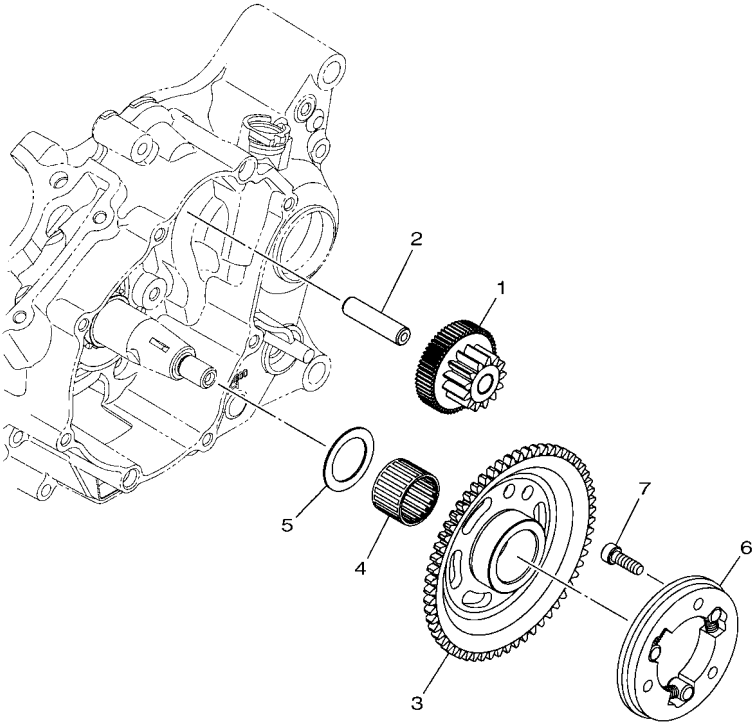
BK61460-S110

FIG. 11 CRANKCASE COVER 1

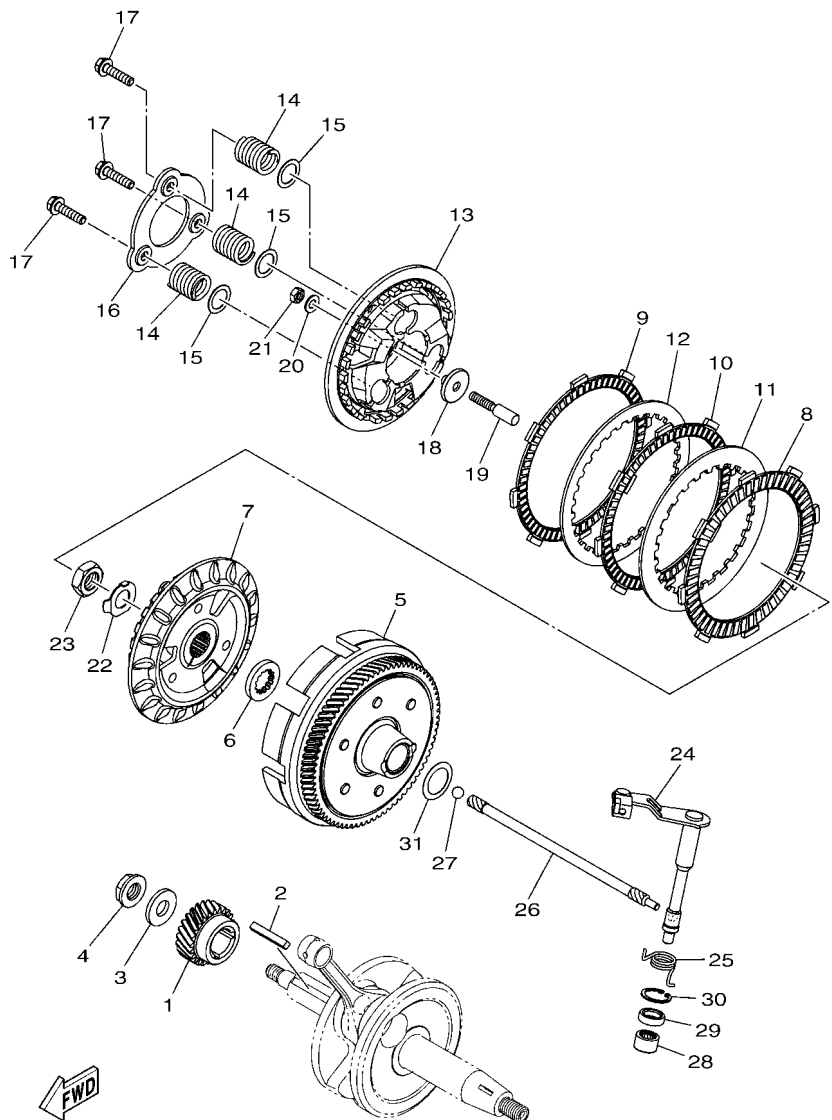
REF. NO.	PART NO.	DESCRIPTION	B2S4				REMARKS
1	BK6-E5411-00	COVER, CRANKCASE 1	1				
2	BK6-E5451-00	GASKET, CRANKCASE COVER 1	1				
3	91810-14809	PIN, DOWEL	2				
4	95022-06040	BOLT, FLANGE	7				
5	90340-14824	PLUG, STRAIGHT SCREW	1				
6	93210-148F8	O-RING	1				
7	90340-32823	PLUG, STRAIGHT SCREW	1				
8	93210-32816	O-RING	1				
9	2PV-E5113-00	PLATE	1				
10	BK6-E5418-00	COVER, CHAIN CASE	1				
11	95022-06016	BOLT, FLANGE	2				
12	BK6-E5421-00	COVER, CRANKCASE 2	1				
13	BK6-E5461-00	GASKET, CRANKCASE COVER 2	1				
14	91810-14809	PIN, DOWEL	2				
15	95022-06040	BOLT, FLANGE	4				
16	95022-06050	BOLT, FLANGE	6				
17	BK6-E5362-00	PLUG, OIL LEVEL	1				
18	93210-198F9	O-RING	1				
19	93101-10843	OIL SEAL	1				
20	95022-06090	BOLT, FLANGE	1				

FIG. 12 STARTER CLUTCH

REF. NO.	PART NO.	DESCRIPTION	B2S4					REMARKS
1	B48-E5514-00	GEAR 2	1					
2	BK7-E5521-00	SHAFT 1	1					
3	2PV-E5524-10	WHEEL, STARTER	1					
4	93310-325YC	BEARING	1					
5	90201-25290	WASHER, PLATE	1					
6	2TP-E5580-00	STARTER CLUTCH OUTER ASSY	1					
7	90110-06873	BOLT, HEXAGON SOCKET HEAD	3					



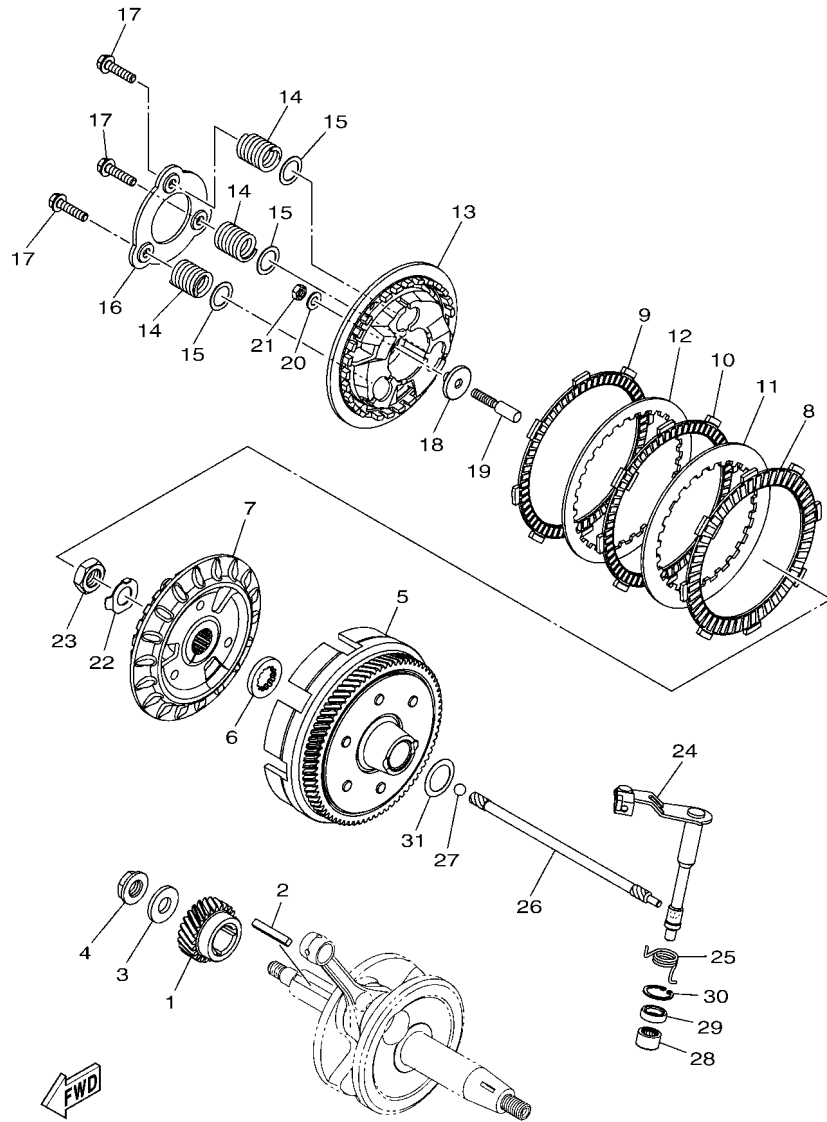
BK61460-S120



BK61460-S130

FIG. 13 CLUTCH

REF. NO.	PART NO.	DESCRIPTION	B2S4	REMARKS
1	3C1-E6111-00	GEAR, PRIMARY DRIVE	1	
2	38B-E6193-00	KEY, FEATHER	1	
3	90201-12019	WASHER, PLATE	1	
4	90179-12808	NUT	1	
5	BK6-E6150-00	PRIMARY DRIVEN GEAR COMP.	1	
6	2ND-E6154-00	PLATE, THRUST 1	1	
7	BK6-E6371-00	BOSS, CLUTCH	1	
8	2ND-E6321-00	PLATE, FRICTION	1	
9	BK6-E6331-00	PLATE, FRICTION 2	1	
10	BK6-E6321-00	PLATE, FRICTION	1	
11	BK6-E6325-00	PLATE, CLUTCH 2	1	
12	BK6-E6324-00	PLATE, CLUTCH 1	1	
13	BK6-E6351-00	PLATE, PRESSURE 1	1	
14	BK6-E6333-00	SPRING, CLUTCH 1	3	
15	BK6-E6774-00	WASHER	3	
16	BK6-E6352-00	PLATE, PRESSURE 2	1	
17	BK6-E6337-00	SCREW, SPRING	3	
18	3C1-E6358-00	PLATE, PUSH	1	
19	3C1-E6356-10	ROD, PUSH 1	1	
20	54B-E6144-00	WASHER	1	
21	3C1-E6344-00	NUT, ADJUSTING	1	
22	90215-14802	WASHER, LOCK	1	
23	90170-14801	NUT	1	
24	BK7-E6380-00	PUSH LEVER ASSY	1	
25	BK6-E6345-00	SPRING, RETURN	1	
26	1PA-E6357-00	ROD, PUSH 2	1	
27	93505-16844	BALL	1	

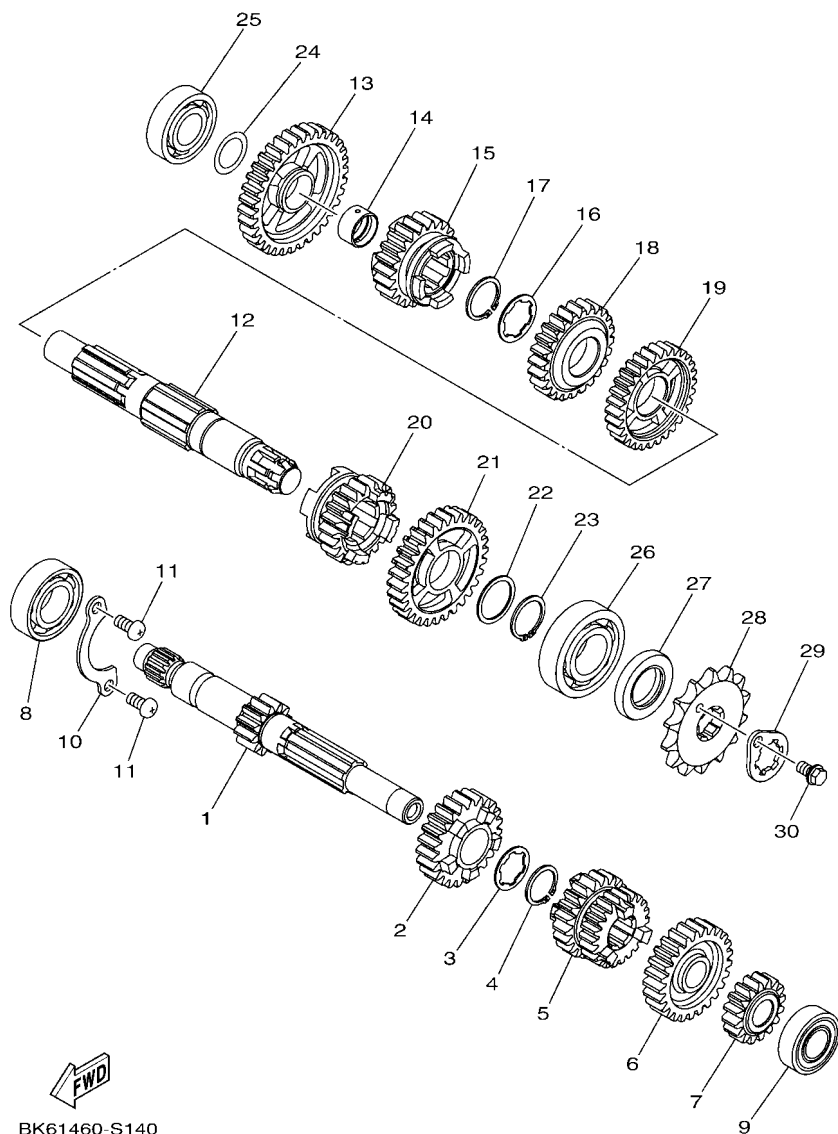


BK61460-S130

FIG. 13 CLUTCH

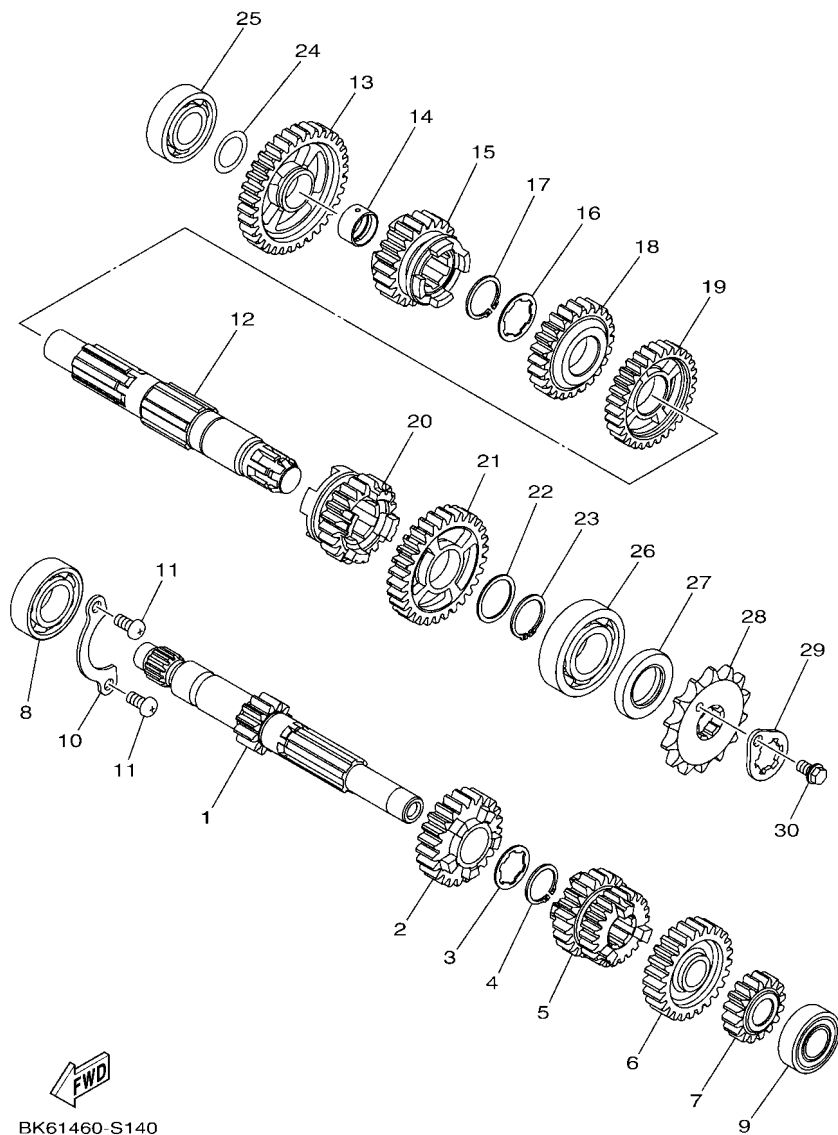
REF. NO.	PART NO.	DESCRIPTION	B2S4	REMARKS
28	93315-112Y8	BEARING	1	
29	93102-12862	OIL SEAL	1	
30	99009-20500	CIRCLIP	1	
31	90208-20003	WASHER, CONICAL SPRING	1	

FIG. 14 TRANSMISSION



BK61460-S140

REF. NO.	PART NO.	DESCRIPTION	B2S4	REMARKS
1	BK6-E7411-00	AXLE, MAIN	1	
2	BK6-E7151-00	GEAR, 5TH PINION (23T)	1	
3	90209-17285	WASHER	1	
4	93410-20038	CIRCLIP	1	
5	5D7-E7131-00	GEAR, 3RD PINION (22T/21T)	1	
6	BK6-E7161-00	GEAR, 6TH PINION (25T)	1	
7	3C1-E7121-00	GEAR, 2ND PINION (16T)	1	
8	93306-054XF	BEARING	1	
9	93306-252YN	BEARING	1	
10	3C1-E7471-00	PLATE, COVER	1	
11	98512-06012	SCREW, PAN HEAD	2	
12	BK6-E7421-00	AXLE, DRIVE	1	
13	3C1-E7211-00	GEAR, 1ST WHEEL (34T)	1	
14	90387-17804	COLLAR	1	
15	BK6-E7251-00	GEAR, 5TH WHEEL (22T)	1	
16	90209-18208	WASHER	1	
17	93410-22039	CIRCLIP	1	
18	BK6-E7241-00	GEAR, 4TH WHEEL (24T)	1	
19	BK6-E7231-00	GEAR, 3RD WHEEL (30T)	1	
20	5D7-E7261-00	GEAR, 6TH WHEEL (21T)	1	
21	BK6-E7221-00	GEAR, 2ND WHEEL (30T)	1	
22	90201-22793	WASHER, PLATE	1	
23	93410-22039	CIRCLIP	1	
24	90201-173F4	WASHER, PLATE	1	
25	93306-253X2	BEARING	1	
26	93306-272YC	BEARING	1	
27	93102-22827	OIL SEAL	1	



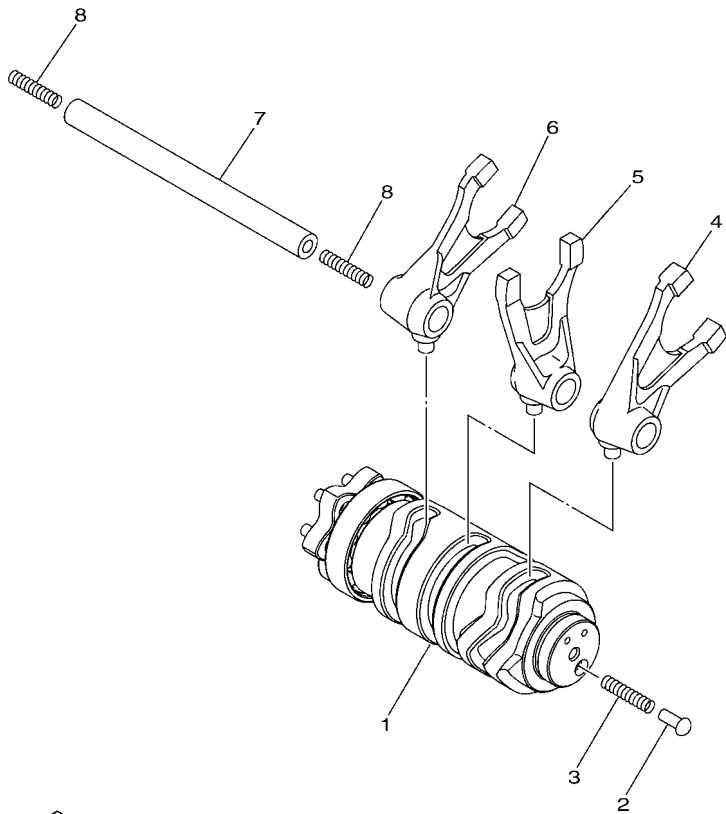
BK61460-S140

FIG. 14 TRANSMISSION

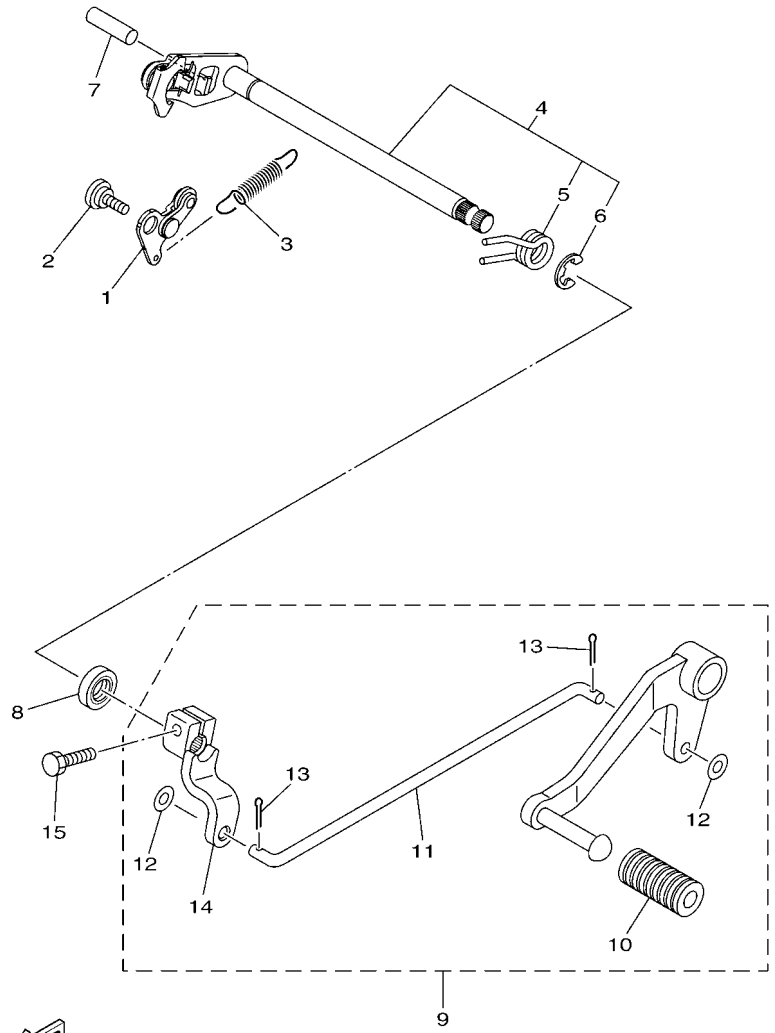
REF. NO.	PART NO.	DESCRIPTION	B2S4	REMARKS
28	93822-14800	SPROCKET, DRIVE (14T)	1	
29	1S7-E7456-00	HOLDER, SPROCKET	1	
30	95022-06010	BOLT, FLANGE	1	

FIG. 15 SHIFT CAM & FORK

REF. NO.	PART NO.	DESCRIPTION	B2S4					REMARKS
1	BK6-E8540-00	SHIFT CAM ASSY	1					
2	5TP-E8542-00	POINT, NEUTRAL	1					
3	90501-06022	SPRING, COMPRESSION	1					
4	2ND-E8511-00	FORK, SHIFT 1	1					
5	2ND-E8512-00	FORK, SHIFT 2	1					
6	2ND-E8513-00	FORK, SHIFT 3	1					
7	1PA-E8531-00	BAR, SHIFT FORK GUIDE 1	1					
8	90501-06800	SPRING, COMPRESSION	2					



BK61460-S150

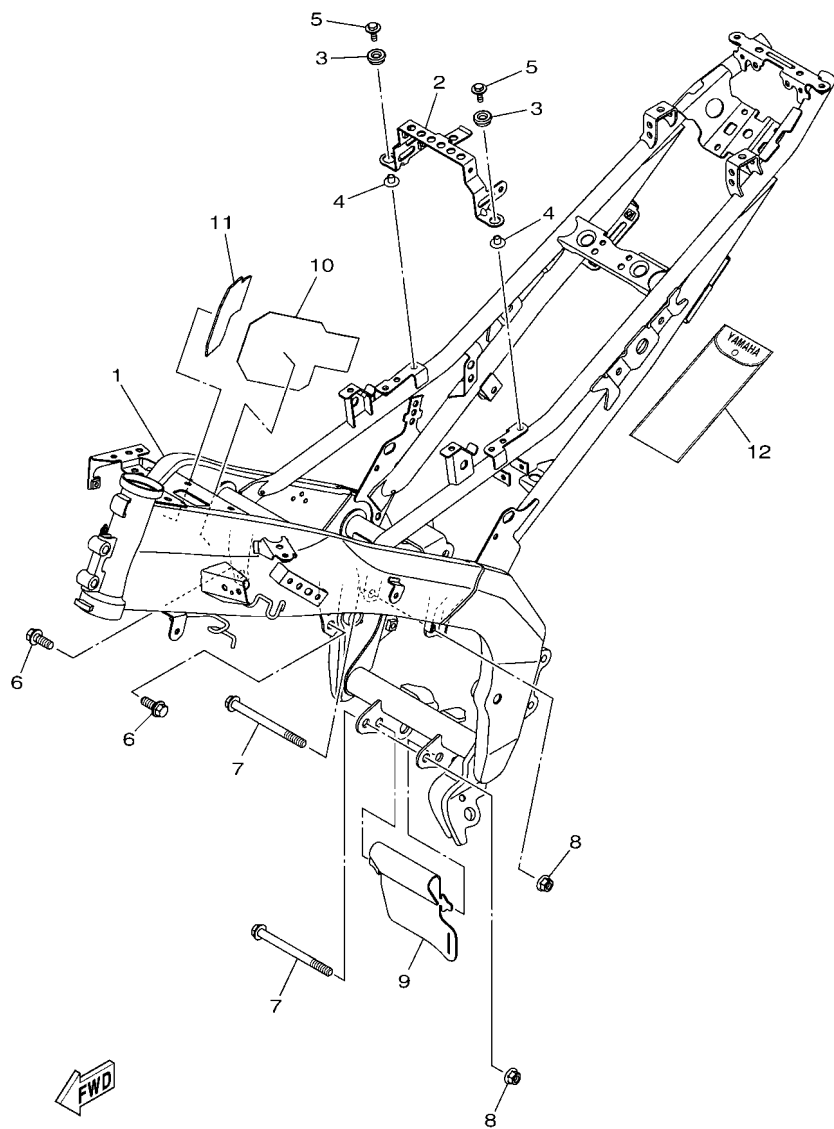


FWD
BK61460-S160

FIG. 16 SHIFT SHAFT

REF. NO.	PART NO.	DESCRIPTION	B2S4				REMARKS
1	BK6-E8140-00	STOPPER LEVER ASSY	1				
2	90109-06279	BOLT	1				
3	BK6-E8337-00	SPRING	1				
4	38B-E8101-00	SHIFT SHAFT ASSY	1				
5	90508-32837	.SPRING, TORSION	1				
6	99001-10600	.CIRCLIP	1				
7	93608-30839	PIN, DOWEL	1				
8	93102-12891	OIL SEAL	1				
9	BK7-E8110-00	SHIFT PEDAL ASSY	1				
10	20P-E8113-00	.COVER, SHIFT PEDAL	1				
11	BK7-E8115-00	.ROD, SHIFT	1				
12	92902-06200	.WASHER	2				
13	90252-18800	.PIN, COTTER	2				
14	BK7-E8112-00	.ARM, SHIFT	1				
15	97012-06020	BOLT	1				

FIG. 17 FRAME



BK61460-S170

REF. NO.	PART NO.	DESCRIPTION	B2S4				REMARKS
1	BK6-F1110-13	FRAME COMP.	1				
2	BK6-F1946-00	BRACKET, SEAT FITTING	1				
3	90480-13567	GROMMET	2				
4	90387-068C5	COLLAR	2				
5	90119-06810	BOLT, WITH WASHER	2				
6	90105-108B7	BOLT, FLANGE	2				
7	90105-10886	BOLT, FLANGE	2				
8	90179-10805	NUT	2				
9	BK6-F2327-10	MUD GUARD 1	1				
10	BK6-F112C-00	DAMPER 2	1				
11	BK6-F112D-00	DAMPER 3	1				
12	BK6-F8100-00	TOOL KIT	1				

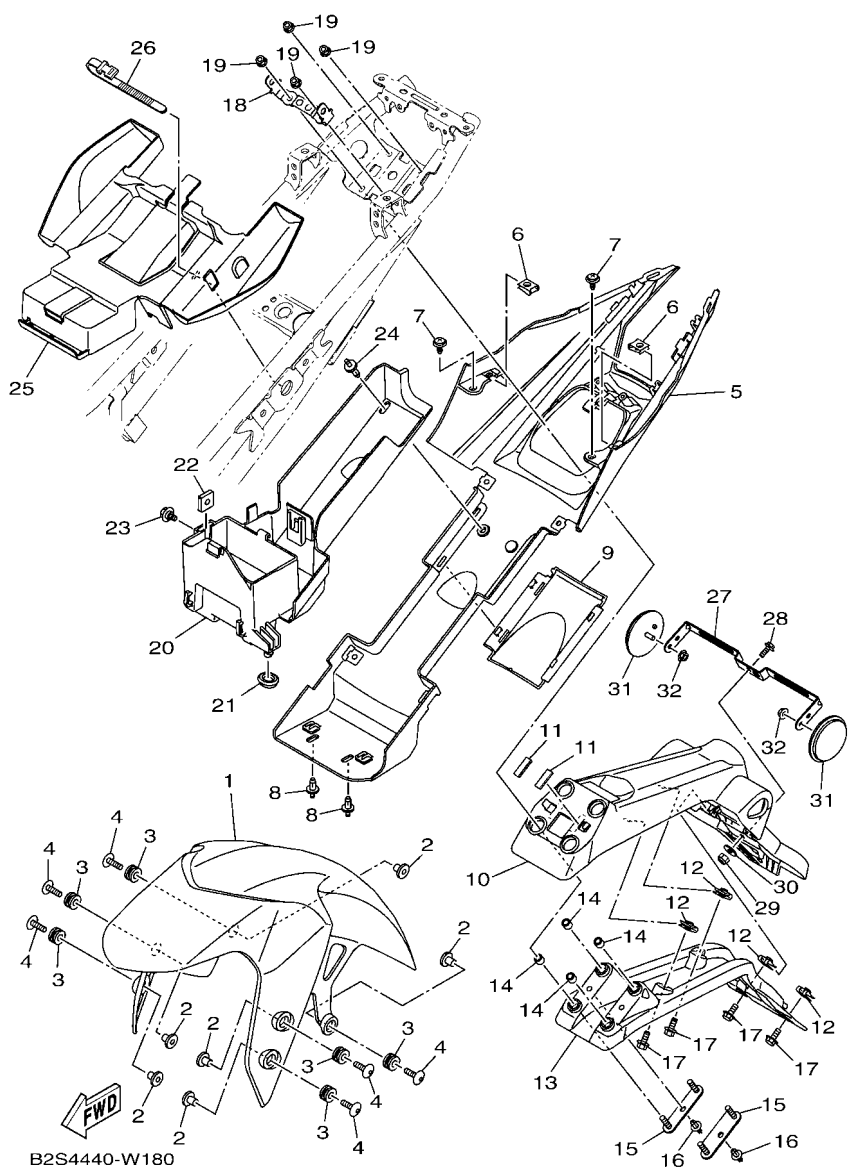


FIG. 18 FENDER

REF. NO.	PART NO.	DESCRIPTION	B2S4	REMARKS
1	BK6-F1511-00-P5	FENDER, FRONT	1	MBNM3 FOR DPBMC
	BK6-F1511-00-P1	FENDER, FRONT	1	MBL2 FOR SM12
	BK6-F1511-00-WN	FENDER, FRONT	1	CIS FOR MS1
2	90387-06205	COLLAR	6	
3	90480-12805	GROMMET	6	
4	90111-06137	BOLT,HEX. SOCKET BUTTON	6	
5	BK6-F1611-00	FENDER, REAR	1	
6	90183-05807	NUT, SPRING	2	
7	90159-06817	SCREW, WITH WASHER	2	
8	90269-06816	RIVET	2	
9	BK6-F162R-00-P7	FENDER 2	1	MBNM3 FOR DPBMC
	BK6-F162R-00-P1	FENDER 2	1	MBL2 FOR SM12
	BK6-F162R-00-WN	FENDER 2	1	CIS FOR MS1
10	BK6-F1629-01	GUARD, MUD	1	
11	28D-F834E-00	DAMPER 3	2	
12	90183-050A7	NUT, SPRING	4	
13	BK6-F1617-00	BRACKET, FENDER	1	
14	90387-066J9	COLLAR	4	
15	BK6-F1613-00	STAY, FENDER 1	2	
16	90269-06816	RIVET	2	
17	90119-05022	BOLT, WITH WASHER	4	
18	BK6-H1948-00	BRACKET	1	
19	95602-06200	NUT, SELF-LOCKING	4	
20	BK6-F160E-00	BOX	1	
21	90480-01558	GROMMET	1	
22	90173-06806	NUT, SQUARE	1	
23	90109-06202	BOLT	1	

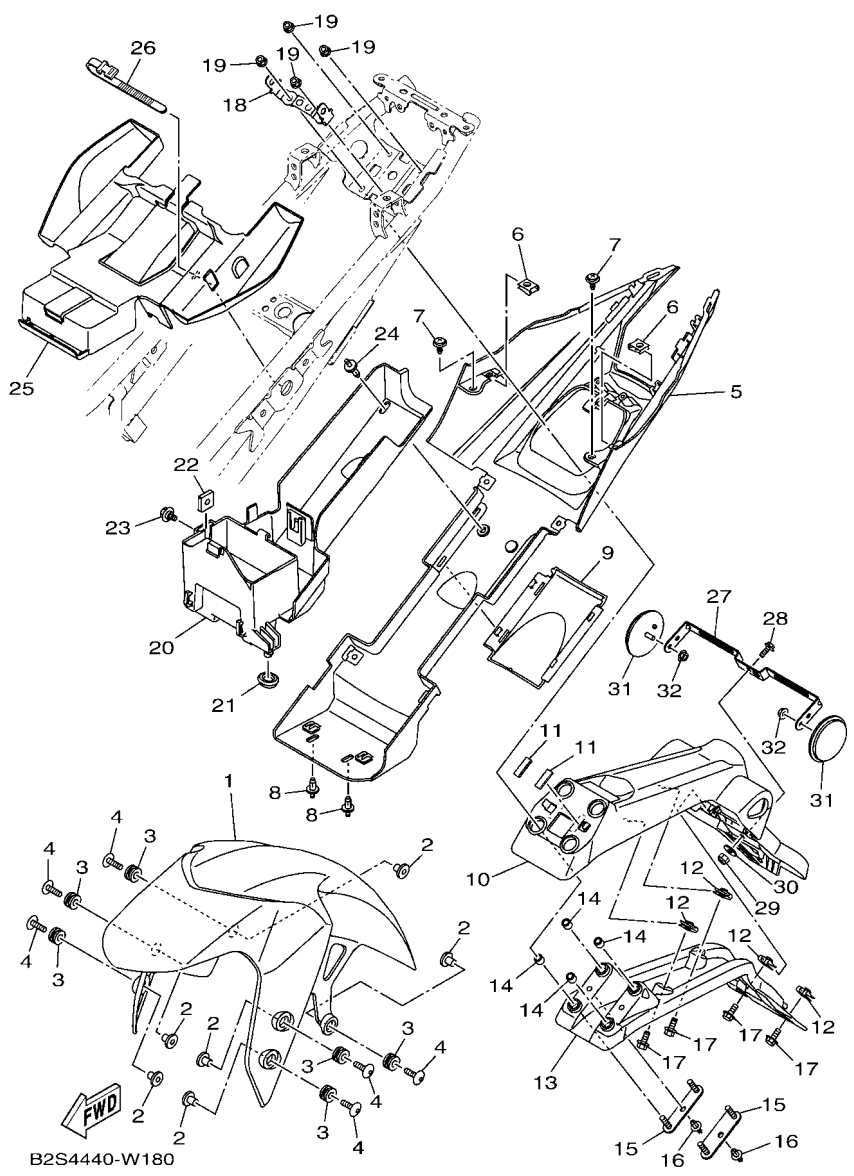


FIG. 18 FENDER

REF. NO.	PART NO.	DESCRIPTION	B2S4	REMARKS
24	90269-06816	RIVET	1	
25	BK6-F1653-00	BOX	1	
26	3AY-H3936-00	BAND, SWITCH CORD	1	
27	B2S-F1641-00	BRACKET, REFLECTOR	1	
28	95022-06014	BOLT, FLANGE	1	
29	95607-06100	NUT, SELF-LOCKING	1	
30	90201-06078	WASHER, PLATE	1	
31	2FC-H5111-00	REFLECTOR, 1	2	
32	95707-05500	NUT, FLANGE	2	

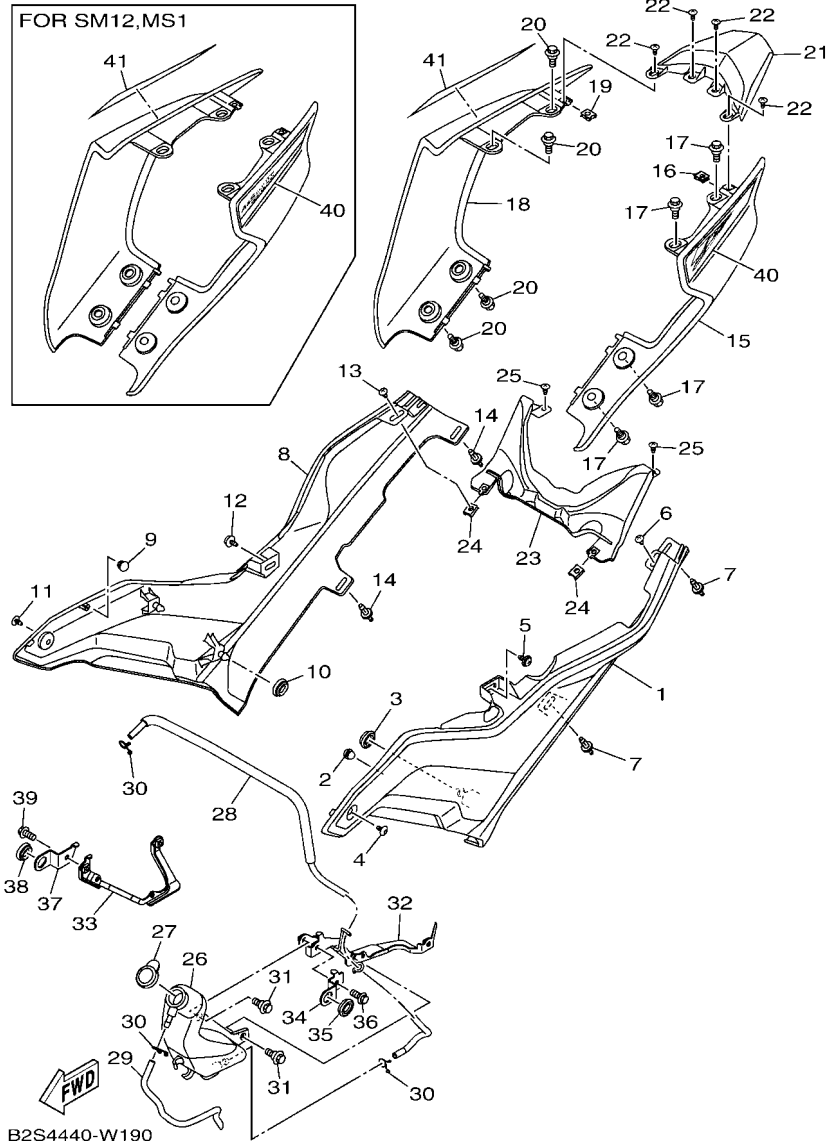


FIG. 19 SIDE COVER

REF. NO.	PART NO.	DESCRIPTION	B2S4	REMARKS
1	BK6-F1711-00	COVER, SIDE 1	1	
2	45P-F1717-00	DAMPER	1	
3	90480-01558	GROMMET	1	
4	90160-05812	SCREW, ROUND TAPPING	1	
5	90159-06817	SCREW, WITH WASHER	1	
6	97702-50012	SCREW, TAPPING	1	
7	90269-06816	RIVET	2	
8	BK6-F1721-00	COVER, SIDE 2	1	
9	45P-F1717-00	DAMPER	1	
10	90480-01558	GROMMET	1	
11	90160-05812	SCREW, ROUND TAPPING	1	
12	90159-06817	SCREW, WITH WASHER	1	
13	97702-50012	SCREW, TAPPING	1	
14	90269-06816	RIVET	2	
15	BK6-F1731-00-P7	COVER, SIDE 3	1	MBNM3 FOR DPBMC
	BK6-F1731-00-P1	COVER, SIDE 3	1	MBL2 FOR SM12
	BK6-F1731-00-WN	COVER, SIDE 3	1	CIS FOR MS1
16	90183-05807	NUT, SPRING	1	
17	90109-068B2	BOLT	4	
18	BK6-F1741-00-P7	COVER, SIDE 4	1	MBNM3 FOR DPBMC
	BK6-F1741-00-P1	COVER, SIDE 4	1	MBL2 FOR SM12
	BK6-F1741-00-WN	COVER, SIDE 4	1	CIS FOR MS1
19	90183-05807	NUT, SPRING	1	
20	90109-068B2	BOLT	4	
21	BK6-F171E-00	COVER, SIDE 5	1	
22	97707-50012	SCREW, TRUSS HEAD TAPPING	4	
23	BK6-F171X-00	COVER, SIDE 6	1	

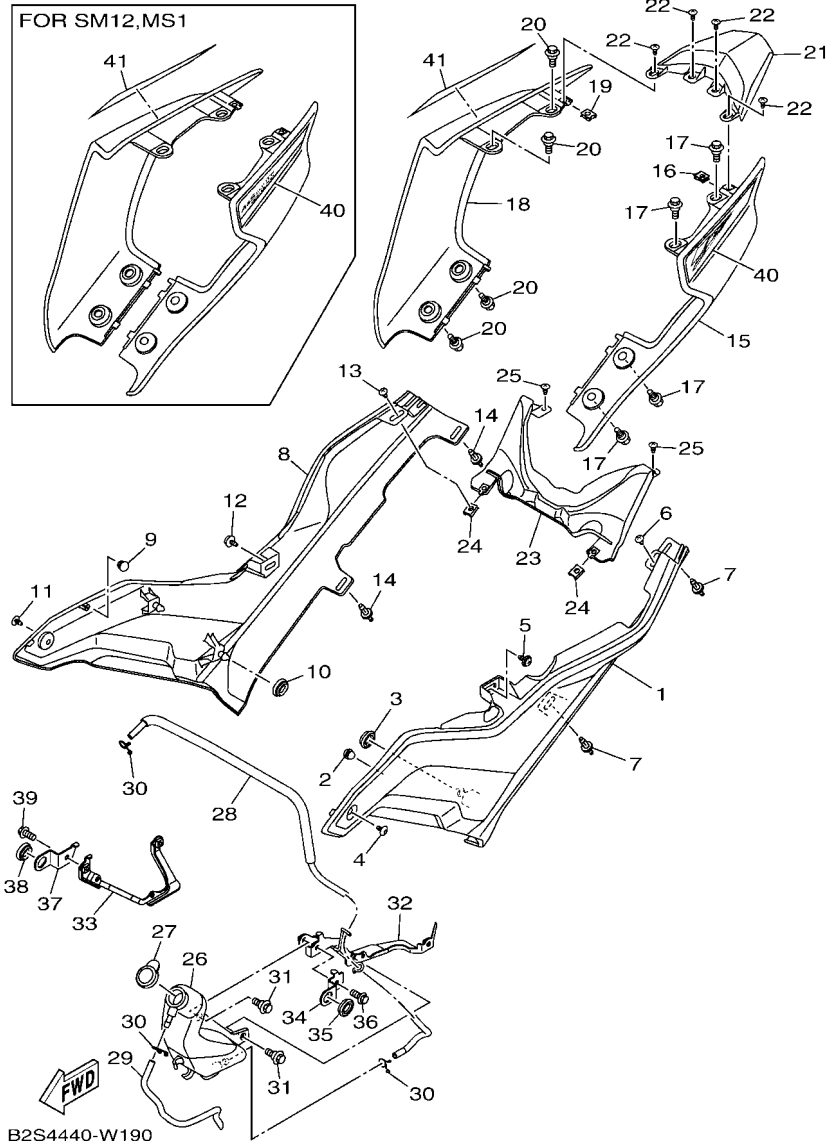
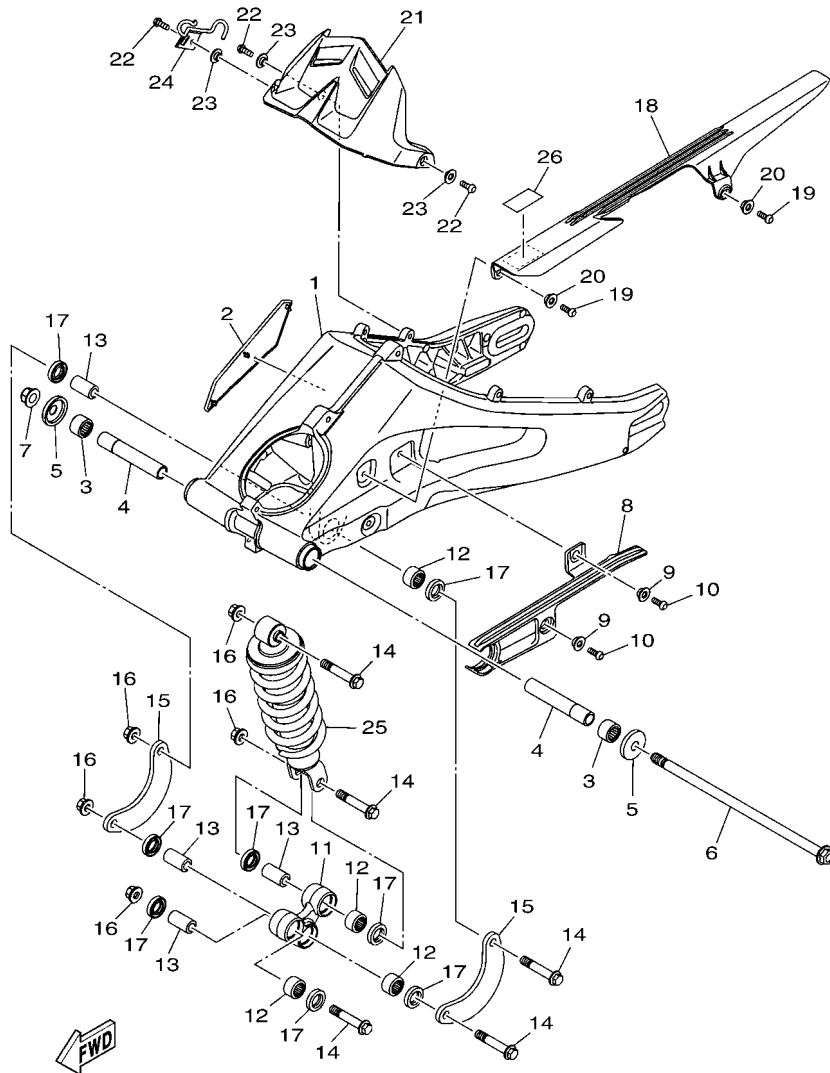


FIG. 19 SIDE COVER

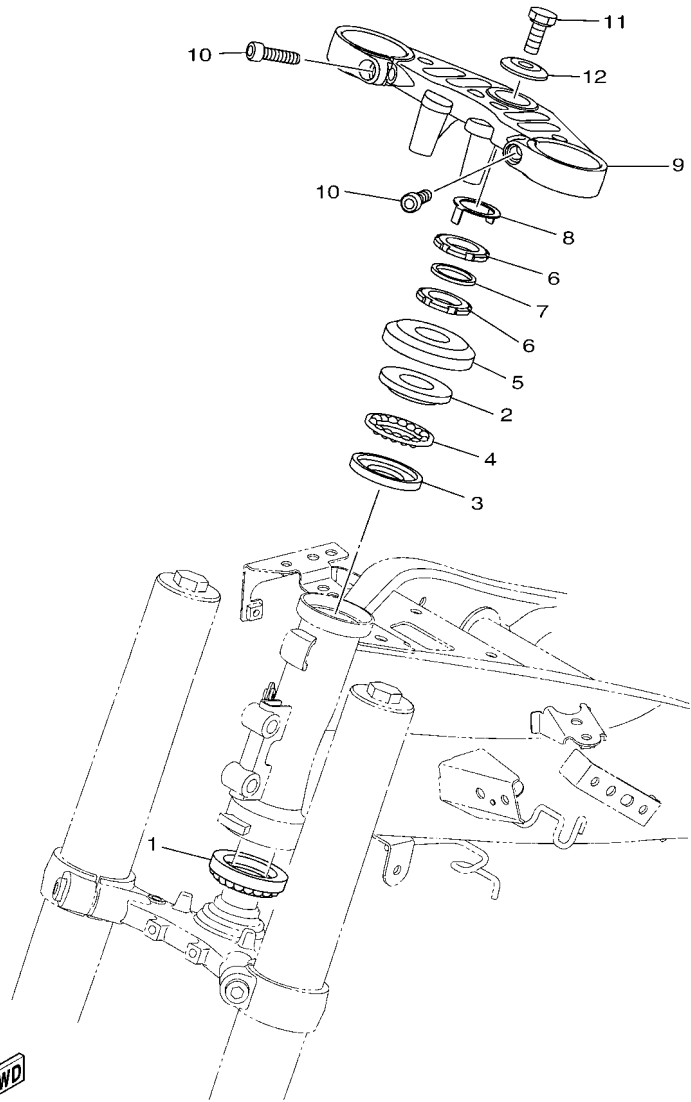
REF. NO.	PART NO.	DESCRIPTION	B2S4	REMARKS
24	90183-05807	NUT, SPRING	2	
25	97702-50012	SCREW, TAPPING	2	
26	BK6-F1871-00	TANK, RECOVERY	1	
27	1S7-F1875-01	CAP	1	
28	BK6-F1817-02	PIPE 2	1	
29	BK6-F247A-00	HOSE 1	1	
30	90467-08003	CLIP	3	
31	90109-06220	BOLT	2	
32	BK6-F8283-00	BRACKET, POUCH	1	
33	BK6-F8284-00	BRACKET, UNDER	1	
34	BK6-F8417-00	PLATE	1	
35	90480-01558	GROMMET	1	
36	95022-06014	BOLT, FLANGE	1	
37	BK6-F841F-00	PLATE	1	
38	90480-01558	GROMMET	1	
39	95022-06014	BOLT, FLANGE	1	
40	B2S-F173E-70	GRAPHIC 1	1	UR FOR DPBMC
	B2S-F173E-80	GRAPHIC 1	1	UR FOR SM12
	B2S-F173E-90	GRAPHIC 1	1	UR FOR MS1
41	B2S-F173F-60	GRAPHIC 2	1	UR FOR DPBMC
	B2S-F173F-70	GRAPHIC 2	1	UR FOR SM12
	B2S-F173F-80	GRAPHIC 2	1	UR FOR MS1



BK61460-S200

FIG. 20 REAR ARM & SUSPENSION

REF. NO.	PART NO.	DESCRIPTION	B2S4	REMARKS
1	BK6-F2110-00	REAR ARM COMP.	1	
2	BK6-F135F-00	COVER	1	
3	93317-218Y1	BEARING	2	
4	BK6-F2184-00	BUSH	2	
5	2PK-F2128-01	COVER, THRUST 1	2	
6	BK6-F2141-00	SHAFT, PIVOT	1	
7	95602-12200	NUT, SELF-LOCKING	1	
8	BK6-F2151-00	SEAL, GUARD	1	
9	90387-068S1	COLLAR	2	
10	92012-06016	BOLT, BUTTON HEAD	2	
11	2PK-F217A-00	ARM, RELAY	1	
12	93315-317Y1	BEARING	4	
13	90387-10814	COLLAR	4	
14	90105-10887	BOLT, FLANGE	5	
15	2PK-F217F-00	ROD, CONNECTING 1	2	
16	90179-10805	NUT	5	
17	93106-17801	OIL SEAL	8	
18	BK6-F2311-00	CASE, CHAIN	1	
19	92012-06016	BOLT, BUTTON HEAD	2	
20	90387-068S1	COLLAR	2	
21	BK6-F1650-00	REAR FENDER COMP.	1	
22	92012-06016	BOLT, BUTTON HEAD	3	
23	90387-068S1	COLLAR	3	
24	BK6-F587A-00	HOLDER, BRAKE HOSE 4	1	
25	BK6-F2210-00	SHOCK ABSORBER ASSY, REAR	1	
26	B92-F1668-00	LABEL, TIRE	1	

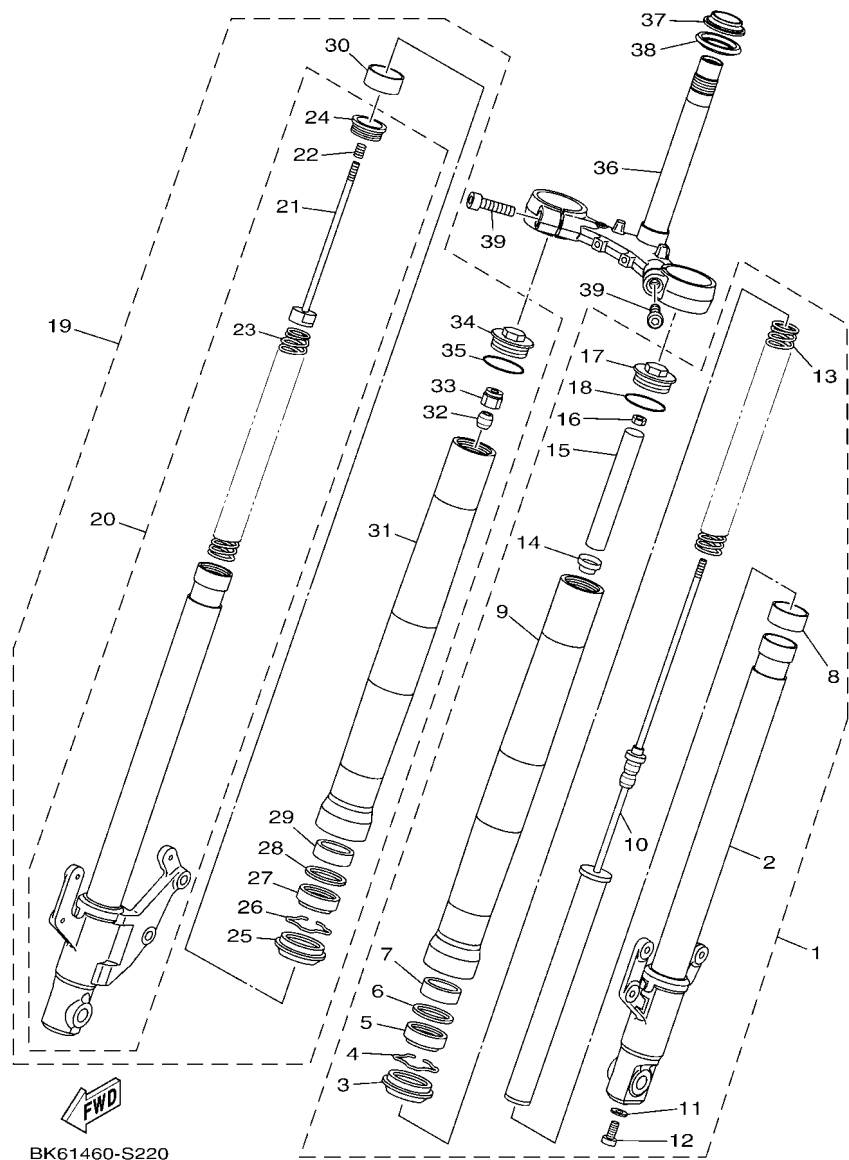


BK61460-S210

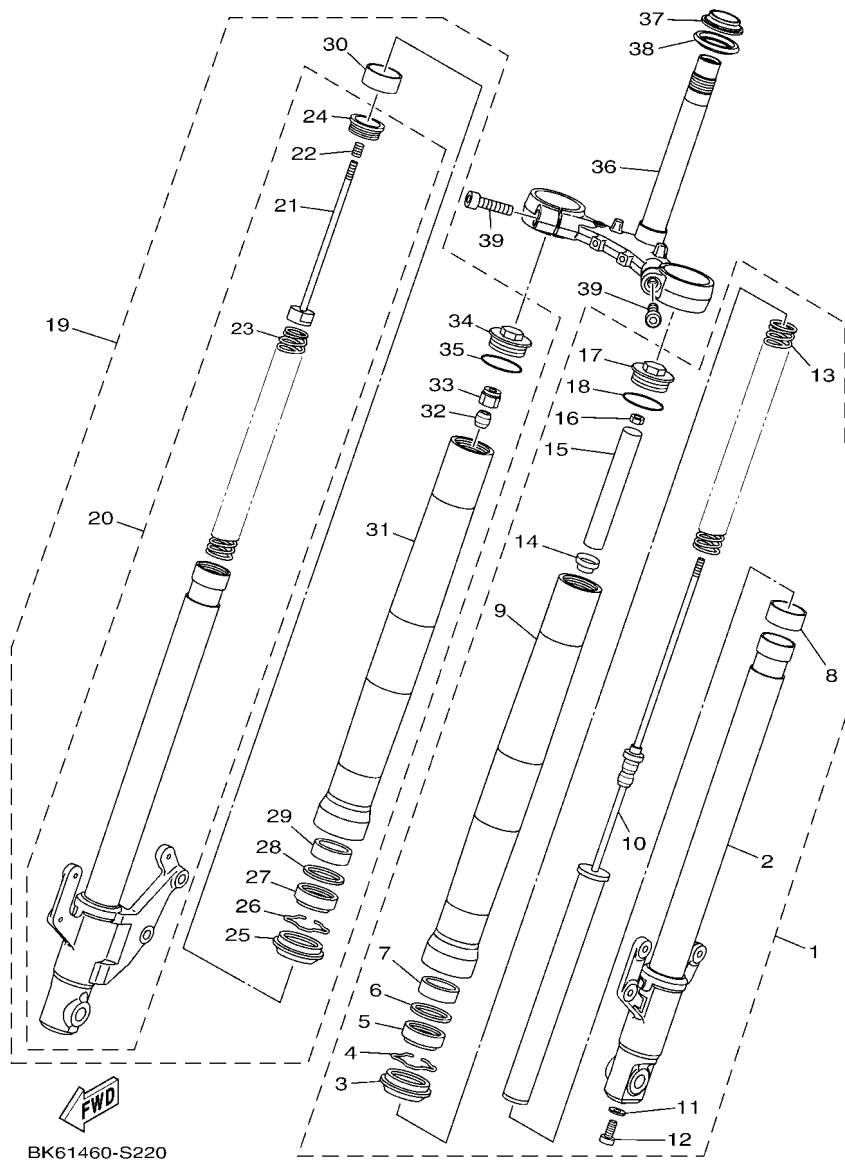
FIG. 21 STEERING

REF. NO.	PART NO.	DESCRIPTION	B2S4				REMARKS
1	5BP-F3873-01	BEARING, STEERING UPPER	1				
2	4FP-F3411-20	RACE, BALL 1	1				
3	4FP-F3412-10	RACE, BALL 2	1				
4	5VL-F341E-10	RETAINER, BALL BEARING	1				
5	5BP-F3416-10	COVER, BALL RACE 2	1				
6	90179-25615	NUT	2				
7	90202-26142	WASHER, PLATE	1				
8	1PA-F3418-00	WASHER, SPECIAL	1				
9	BK6-F3435-00	CROWN, HANDLE	1				
10	91337-08030	BOLT	2				
11	90105-10006	BOLT, FLANGE	1				
12	90209-10020	WASHER	1				

FIG. 22 FRONT FORK



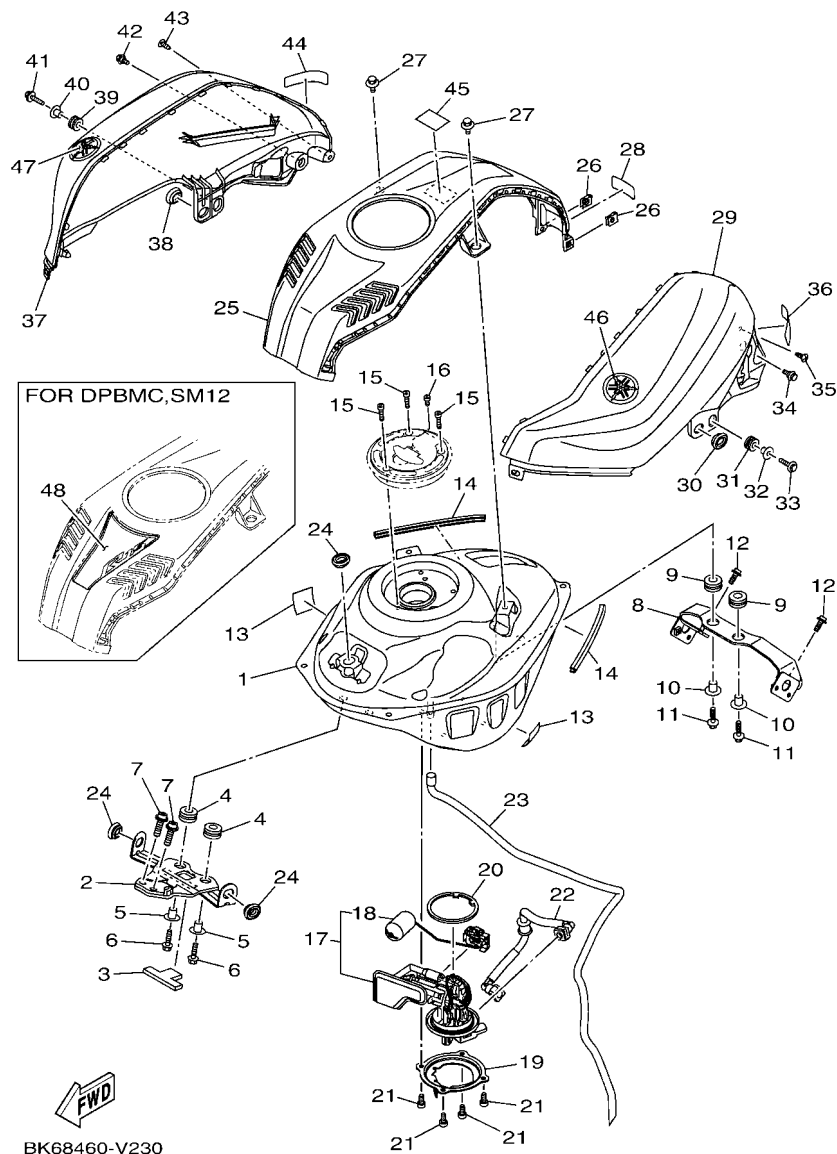
REF. NO.	PART NO.	DESCRIPTION	B2S4	REMARKS
1	BK6-F3102-10	FRONT FORK ASSY (L.H)	1	
2	BK6-F3110-00	.INNER TUBE COMP.1	1	
3	B48-F3144-00	.SEAL, DUST	1	
4	3R4-23153-00	.RING, SNAP	1	
5	BK6-F3145-00	.OIL SEAL	1	
6	31A-23149-31	.WASHER, SPRING UPPER	1	
7	31A-23125-31	.METAL, SLIDE 1	1	
8	BK6-F3171-00	.PISTON, FRONT FORK	1	
9	BK6-F3126-10	.TUBE, OUTER (L.H)	1	
10	BK6-F3170-00	.CYLINDER COMP., FRONT FORK	1	
11	2BU-F3158-00	.GASKET	1	
12	31B-F3181-00	.BOLT, HEXAGON SOCKET HEAD	1	
13	BK6-F3141-00	.SPRING, FRONT FORK	1	
14	BK6-F3117-00	.GUIDE, SPRING	1	
15	BK6-F3118-00	.SPACER	1	
16	BK6-F3357-00	.NUT	1	
17	BK6-F3111-00	.BOLT, CAP	1	
18	4V4-23188-L0	.O-RING	1	
19	BK6-F3103-10	FRONT FORK ASSY (R.H)	1	
20	BK6-F3120-00	.INNER TUBE COMP.2	1	
21	BK6-F330G-00	.ROD COMP.	1	
22	3AH-22222-00	.SPRING 2	1	
23	BK6-F3141-00	.SPRING, FRONT FORK	1	
24	BK6-F319U-00	.CAP	1	
25	B48-F3144-00	.SEAL, DUST	1	
26	3R4-23153-00	.RING, SNAP	1	
27	BK6-F3145-00	.OIL SEAL	1	



BK61460-S220

FIG. 22 FRONT FORK

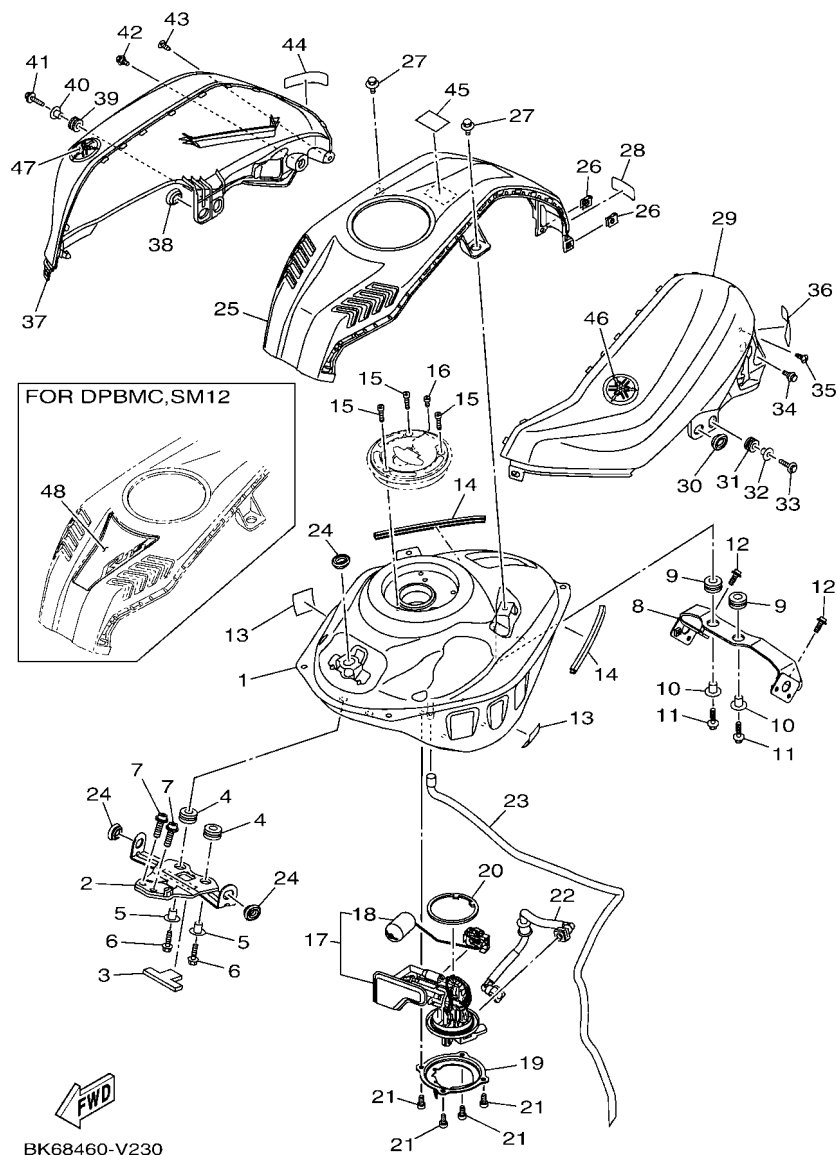
REF. NO.	PART NO.	DESCRIPTION	B2S4				REMARKS
28	31A-23149-31	.WASHER, SPRING UPPER	1				
29	31A-23125-31	.METAL, SLIDE 1	1				
30	BK6-F3171-00	.PISTON, FRONT FORK	1				
31	BK6-F3126-10	.TUBE, OUTER (L.H)	1				
32	BK6-F332K-00	.BUMP, STOP	1				
33	BK6-F3393-00	.NUT, SPECIAL	1				
34	BK6-F3111-00	.BOLT, CAP	1				
35	4V4-23188-L0	.O-RING	1				
36	BK6-F3340-00	UNDER BRACKET COMP.	1				
37	5BP-F3875-00	BEARING, STEERING LOWER	1				
38	5VC-23462-00	SEAL, DUST	1				
39	91312-10040	BOLT, HEXAGON SOCKET HEAD	2				



BK68460-V230

FIG. 23 FUEL TANK

REF. NO.	PART NO.	DESCRIPTION	B2S4	REMARKS
1	BK6-F4110-00	FUEL TANK COMP.	1	
2	BK6-F412Y-00	BRACKET, TANK FITTING	1	
3	BK6-F4181-00	DAMPER, LOCATING 1	1	
4	90480-15363	GROMMET	2	
5	90387-068B2	COLLAR	2	
6	90105-06169	BOLT, FLANGE	2	
7	90110-08839	BOLT, HEXAGON SOCKET HEAD	2	
8	BK6-F4191-00	BRACKET, FUEL TANK 1	1	
9	90480-15363	GROMMET	2	
10	90387-068B2	COLLAR	2	
11	90105-06169	BOLT, FLANGE	2	
12	90110-06215	BOLT, HEXAGON SOCKET HEAD	2	
13	5D9-F414G-10	SEAL	2	
14	BK8-F4188-00	MOLD, FUEL TANK	2	
15	90110-05806	BOLT, HEXAGON SOCKET HEAD	3	
16	91332-05010	BOLT	1	
17	BK6-E3907-00	FUEL PUMP COMP.	1	
18	BK6-H5752-00	.SENDER UNIT ASSY, FUEL METER	1	
19	BK6-F4491-00	BRACKET, FUEL PUMP	1	
20	54P-F414G-10	SEAL	1	
21	91332-05010	BOLT	4	
22	BK6-E3971-00	PIPE, FUEL 1	1	
23	BK7-F4312-00	PIPE 2	1	
24	90480-01558	GROMMET	3	
25	BK6-F41B1-00-P2	COVER, TANK	1	UR FOR DPBMC
	BK6-F41B1-00-P3	COVER, TANK	1	UR MBL2 FOR SM12
	BK6-F41B1-00-WN	COVER, TANK	1	UR CIS FOR MS1

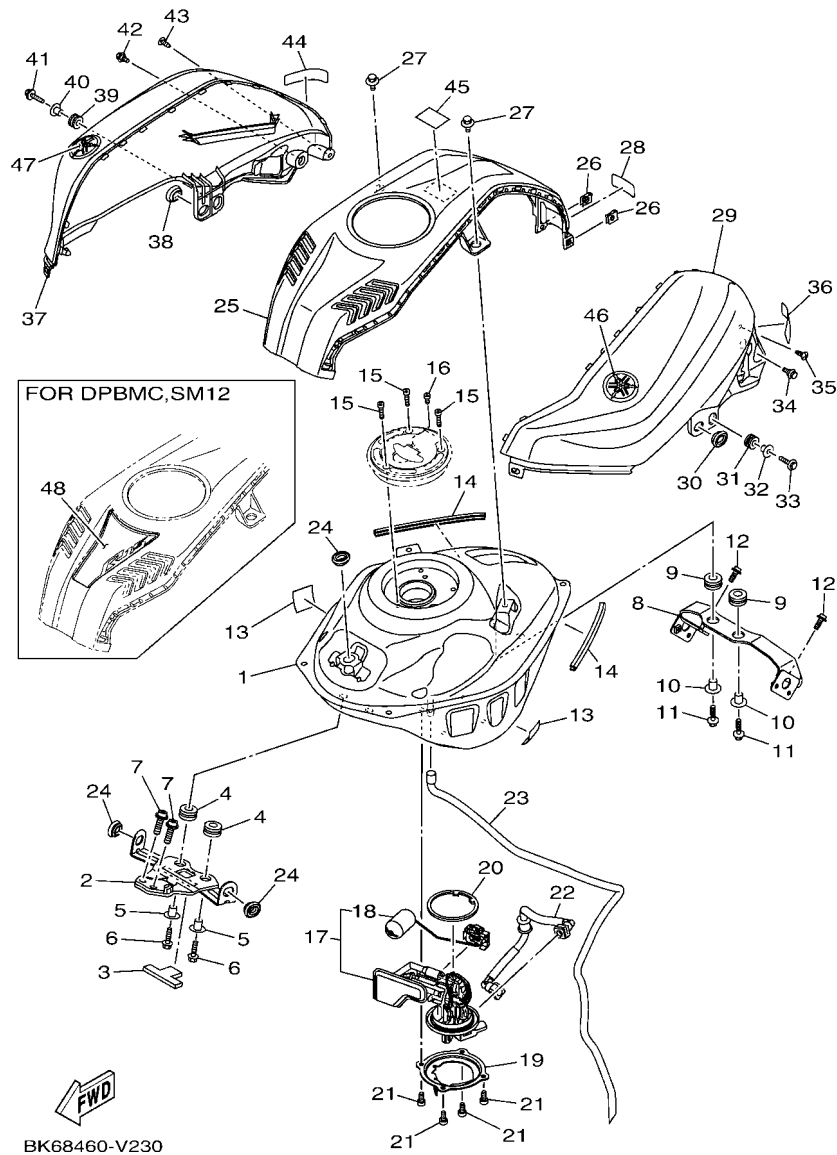


BK68460-V230

FIG. 23 FUEL TANK

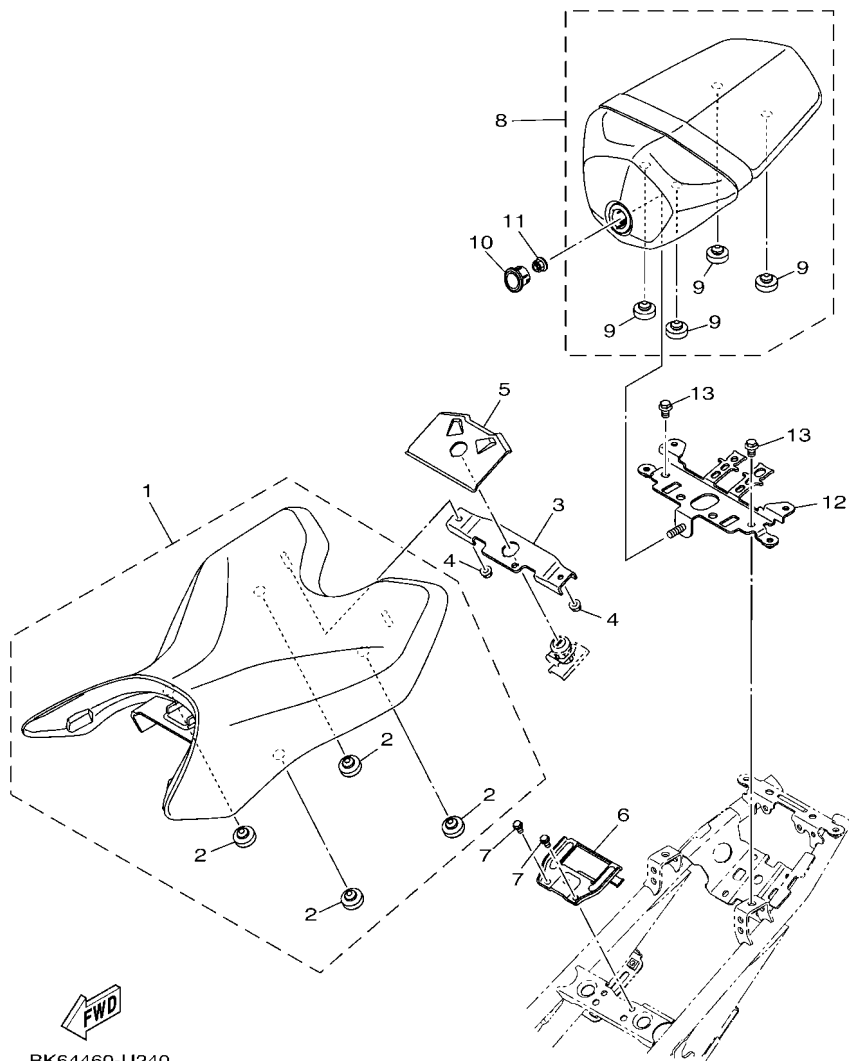
REF. NO.	PART NO.	DESCRIPTION	B2S4	REMARKS
26	90183-05807	NUT, SPRING	2	
27	90109-068B2	BOLT	2	
28	BK6-F414G-00	SEAL	1	
29	BK6-F4129-00-P0	COVER, SIDE 1	1	UR FOR DPBMC
	BK6-F4129-00-P5	COVER, SIDE 1	1	UR FOR SM12
	BK6-F4129-00-P7	COVER, SIDE 1	1	UR FOR MS1
30	90480-01559	GROMMET	1	
31	90480-12805	GROMMET	1	
32	90387-06899	COLLAR	1	
33	90159-05011	SCREW, WITH WASHER	1	
34	90109-05014	BOLT	1	
35	97702-50016	SCREW, TAPPING	1	
36	BK6-F414E-00	SEAL 2	1	
37	BK6-F4139-00-P0	COVER, SIDE 2	1	UR FOR DPBMC
	BK6-F4139-00-P5	COVER, SIDE 2	1	UR FOR SM12
	BK6-F4139-00-P7	COVER, SIDE 2	1	UR FOR MS1
38	90480-01559	GROMMET	1	
39	90480-12805	GROMMET	1	
40	90387-06899	COLLAR	1	
41	90159-05011	SCREW, WITH WASHER	1	
42	90109-05014	BOLT	1	
43	97702-50016	SCREW, TAPPING	1	
44	BK6-F414E-00	SEAL 2	1	
45	B17-F1568-00	LABEL, WARNING	1	
46	B74-F414B-10	EMBLEM	1	
47	B74-F414B-10	EMBLEM	1	
48	B2S-F4161-10	EMBLEM 1	1	UR FOR DPBMC

FIG. 23 FUEL TANK



REF. NO.	PART NO.	DESCRIPTION	B2S4		REMARKS
48	B2S-F4161-20	EMBLEM 1	1		UR FOR SM12

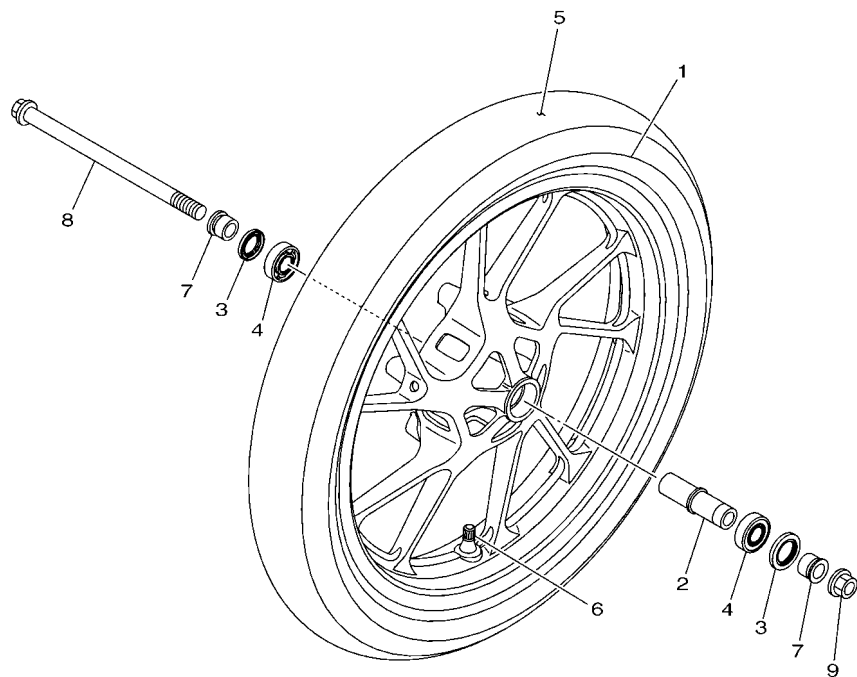
FIG. 24 SEAT



BK64460-U240

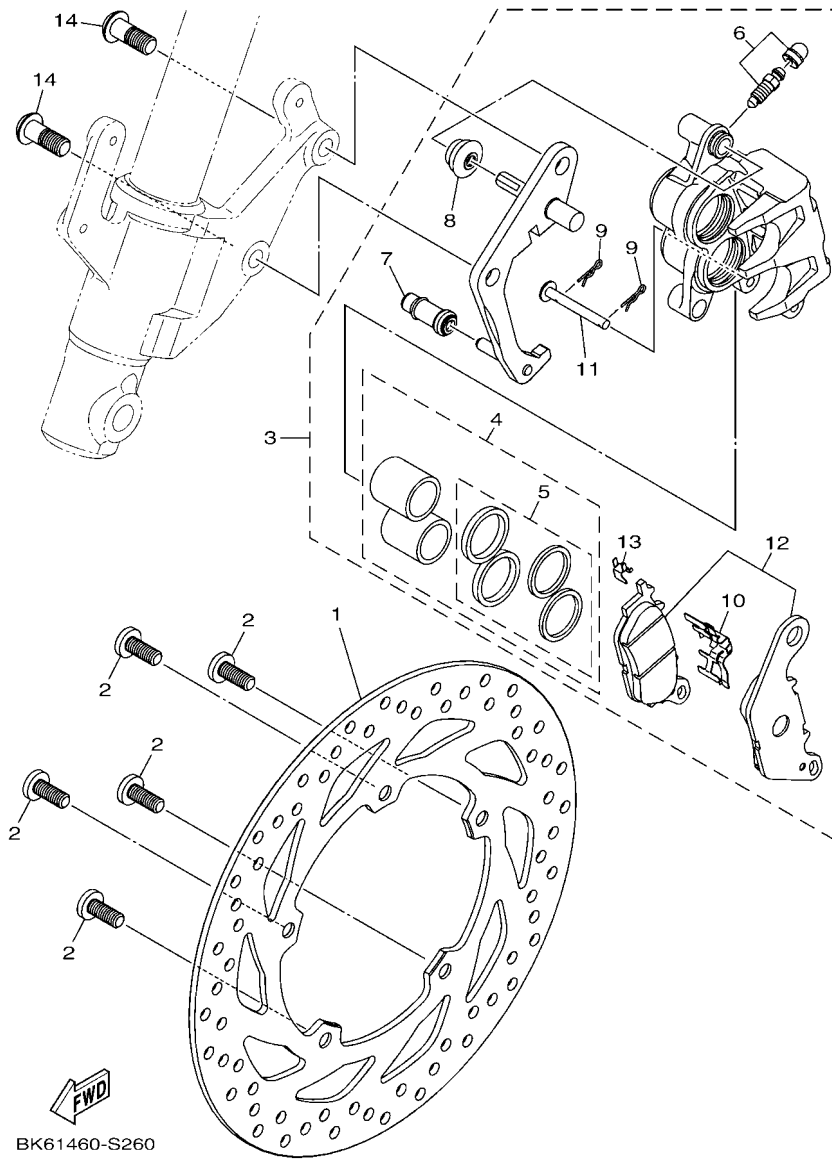
REF. NO.	PART NO.	DESCRIPTION	B2S4				REMARKS
1	BK7-F4710-00	SINGLE SEAT ASSY	1				
2	4LS-F4741-00	.PAD, SEAT	4				
3	BK6-F4728-00	BRACKET, SEAT	1				
4	95607-06200	NUT, SELF U-FLANGE	2				
5	BK6-F4796-00	COVER	1				
6	BK6-F475H-00	BRACKET, SEAT LEVER 1	1				
7	95E32-06010	BOLT, FLANGE DEEP RECESS	2				
8	BK7-F4750-00	TANDEM SEAT ASSY	1				
9	4LS-F4741-00	.PAD, SEAT	4				
10	BK6-F475X-00	COVER,2	1				
11	95602-08200	NUT, U FLANGE	1				
12	BK6-F475J-00	BRACKET, SEAT LEVER 2	1				
13	95022-08012	BOLT, FLANGE	2				

FIG. 25 FRONT WHEEL



REF. NO.	PART NO.	DESCRIPTION	B2S4	REMARKS
1	BK6-F5168-00-P0	CAST WHEEL, FRONT	1	DPBM15 FOR DPBMC
	BK6-F5168-00-33	CAST WHEEL, FRONT	1	YB FOR SM12
	BK6-F5168-00-P1	CAST WHEEL, FRONT	1	LLGS6 FOR MS1
2	21C-F510C-10	COLLAR ASSY.	1	
3	93106-22808	OIL SEAL	2	
4	93306-252YP	BEARING	2	
5	94110-17823	TIRE (100/80-17M/C 52P RX-01F)	1	INOUE
6	93900-00824	VALVE, RIM	1	
7	1CK-F5186-00	COLLAR, WHEEL	2	
8	BK6-F5181-00	AXLE, WHEEL	1	
9	95602-14200	NUT, SELF-LOCKING	1	


BK61460-S250

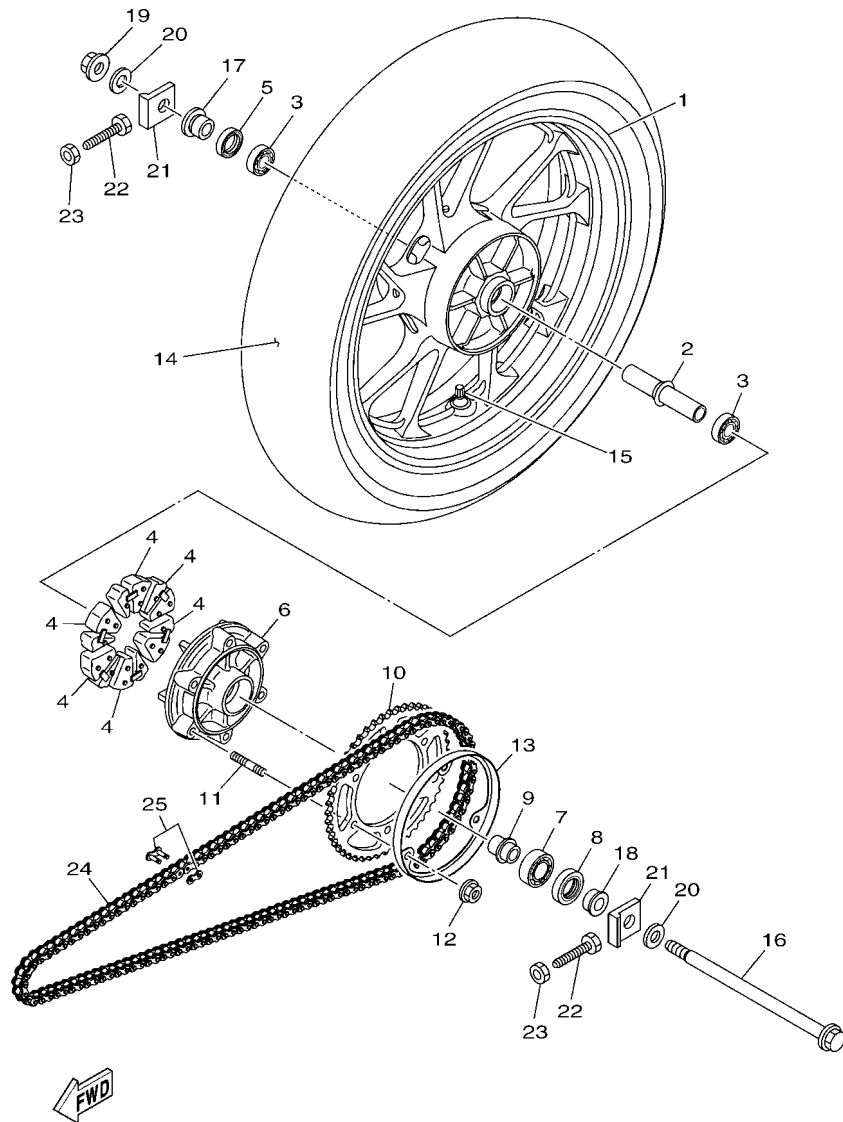


BK61460-S260

FIG. 26 FRONT BRAKE CALIPER

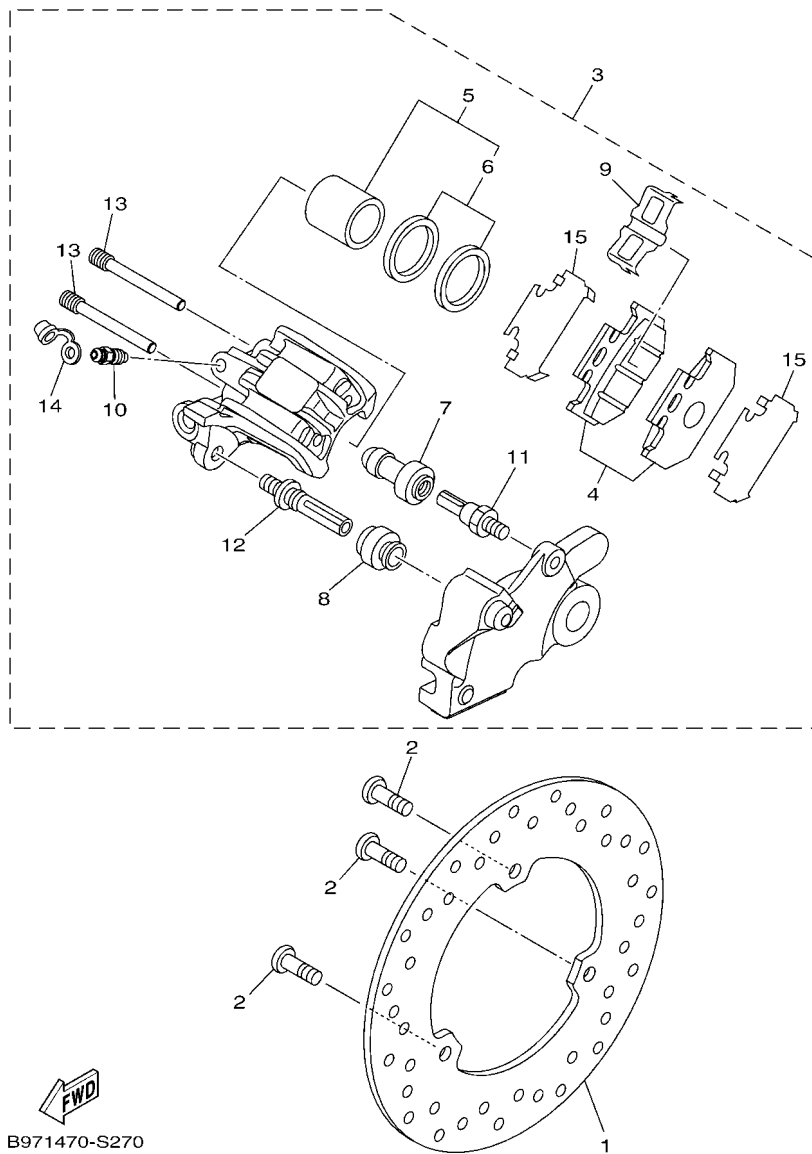
REF. NO.	PART NO.	DESCRIPTION	B2S4				REMARKS
1	BK6-F582U-00	DISK, BRAKE (RIGHT)	1				
2	90111-08089	BOLT,HEX. SOCKET BUTTON	5				
3	B48-F580U-01	CALIPER ASSY (RIGHT)	1				
4	3C1-F5802-00	.PISTON ASSY, CALIPER	1				
5	3C1-F5803-50	..CALIPER SEAL KIT	1				
6	4C9-W0048-00	..BLEED SCREW KIT	1				
7	5YP-F5937-00	..BOOT 2	1				
8	5YP-F5917-00	..BOOT, CALIPER	1				
9	5YP-F5925-01	..CLIP	2				
10	5P0-F5919-01	..SUPPORT, PAD	1				
11	5YP-F5924-00	..PIN, PAD	1				
12	3C1-F5805-10	..BRAKE PAD KIT	1				
13	5YP-F5939-00	..CLIP, PAD	1				
14	90149-10804	SCREW	2				

FIG. 27 REAR WHEEL



B2S1440-T270

REF. NO.	PART NO.	DESCRIPTION	B2S4	REMARKS
1	BK6-F5338-00-P0	CAST WHEEL, REAR	1	DPBM15 FOR DPBMC
	BK6-F5338-00-33	CAST WHEEL, REAR	1	YB FOR SM12
	BK6-F5338-00-P1	CAST WHEEL, REAR	1	LLGS6 FOR MS1
2	B97-F530S-00	COLLAR ASSY	1	
3	93306-252YP	BEARING	2	
4	B97-F5364-00	DAMPER	6	
5	93106-22808	OIL SEAL	1	
6	BK6-F5366-01	CLUTCH, HUB	1	
7	93306-054XC	BEARING	1	
8	93106-26815	OIL SEAL	1	
9	B97-F5376-00	COLLAR, WHEEL	1	
10	BK6-F5448-00	SPROCKET, DRIVEN (48T)	1	
11	90116-08846	BOLT, STUD	6	
12	95602-08200	NUT, U FLANGE	6	
13	BK6-F5414-00	SPACER	1	
14	94114-17802	TIRE (140/70-17M/C 66S RX-01R)	1	INOUE
15	93900-00824	VALVE, RIM	1	
16	5BP-F5381-00	AXLE, WHEEL	1	
17	B97-F5377-00	COLLAR, WHEEL	1	
18	B97-F5383-00	COLLAR, WHEEL	1	
19	95602-14200	NUT, SELF-LOCKING	1	
20	90201-15814	WASHER, PLATE	2	
21	1CK-F5388-00	PULLER, CHAIN 1	2	
22	90101-08006	BOLT	2	
23	95302-08700	NUT, HEXAGON	2	
24	9X568-K1127	CHAIN (DID428VIX2 128LL)	1	
25	94668-K1031	JOINT, CHAIN(DID428VIX2 PL)	1	

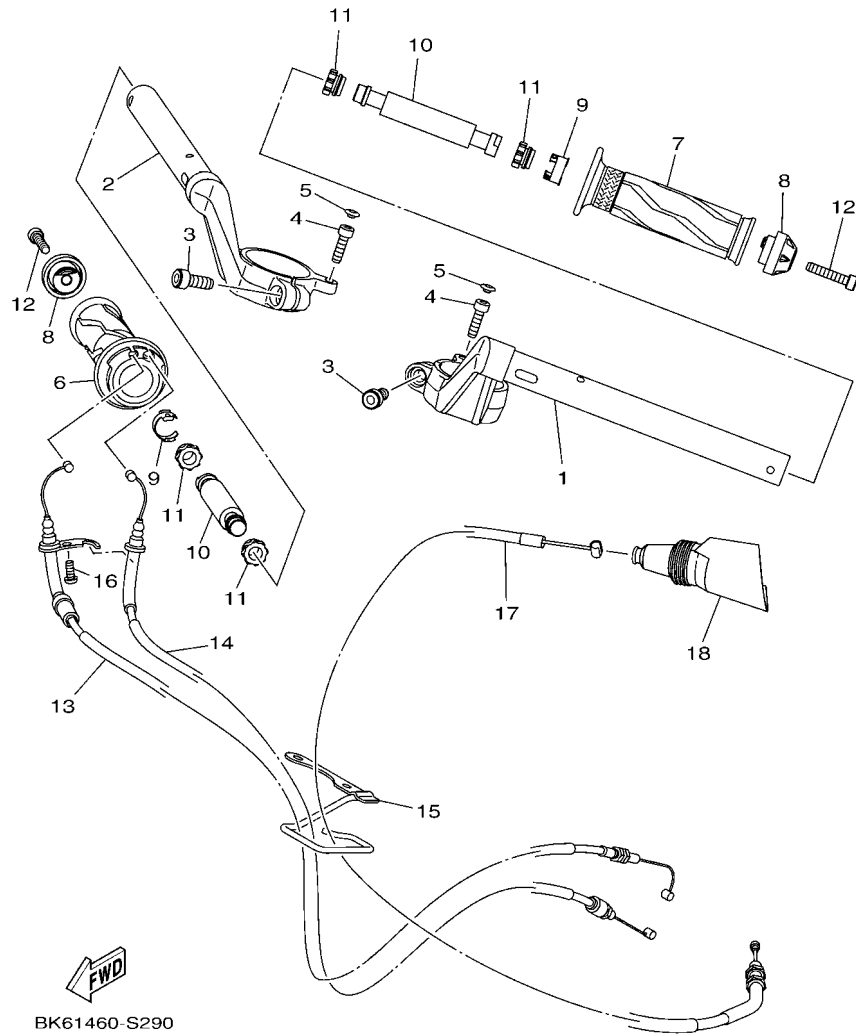


B971470-S270

FIG. 28 REAR BRAKE CALIPER

REF. NO.	PART NO.	DESCRIPTION	B2S4				REMARKS
1	BK6-F582W-00	DISK, REAR BRAKE 2	1				
2	90111-08089	BOLT,HEX. SOCKET BUTTON	3				
3	B97-F580W-00	CALIPER ASSY, REAR 2	1				
4	B97-F5806-00	.BRAKE PAD KIT 2	1				
5	5XT-25802-50	.PISTON ASSY, CALIPER	1				
6	3JD-25803-50	..CALIPER SEAL KIT	1				
7	5HH-F5937-00	.BOOT 2	1				
8	5HH-F5917-00	.BOOT, CALIPER	1				
9	3SP-25919-51	.SUPPORT, PAD	1				
10	5HH-F5824-00	.SCREW, BLEED	1				
11	5HH-F5914-00	.PIN, SLIDE	1				
12	3SP-25926-51	.BOLT	1				
13	3SP-25924-51	.PIN, PAD	2				
14	5HH-F5825-51	.CAP	1				
15	5XT-25827-00	.SHIM, CALIPER	2				

FIG. 29 STEERING HANDLE & CABLE



BK61460-S290

REF. NO.	PART NO.	DESCRIPTION	B2S4				REMARKS
1	BK6-F6121-00	HANDLEBAR (LEFT)	1				
2	BK6-F6122-00	HANDLEBAR (RIGHT)	1				
3	91317-08020	BOLT,HEX.SOCKET HEAD	2				
4	91317-06020	BOLT,HEX.SOCKET HEAD	2				
5	20P-F3469-00	CAP, BOLT	2				
6	BK7-F6240-01	GRIP ASSY	1				
7	20P-F6241-00	GRIP	1				
8	BK7-F6246-00	END, GRIP	2				
9	1S7-F6257-00	STOPPER	2				
10	1S7-F622H-00	WEIGHT	2				
11	1S7-F622F-00	DAMPER, LOCATING 1	4				
12	91317-06030	BOLT,HEX.SOCKET HEAD	2				
13	BK6-F6311-00	WIRE, THROTTLE 1	1				
14	BK6-F6312-00	CABLE, THROTTLE 2	1				
15	BK6-F6315-00	GUIDE, WIRE	1				
16	98507-05012	SCREW, PAN HEAD	1				
17	BK6-F6335-00	WIRE, CLUTCH	1				
18	3RS-F6372-00	COVER, HANDLE LEVER 1	1				

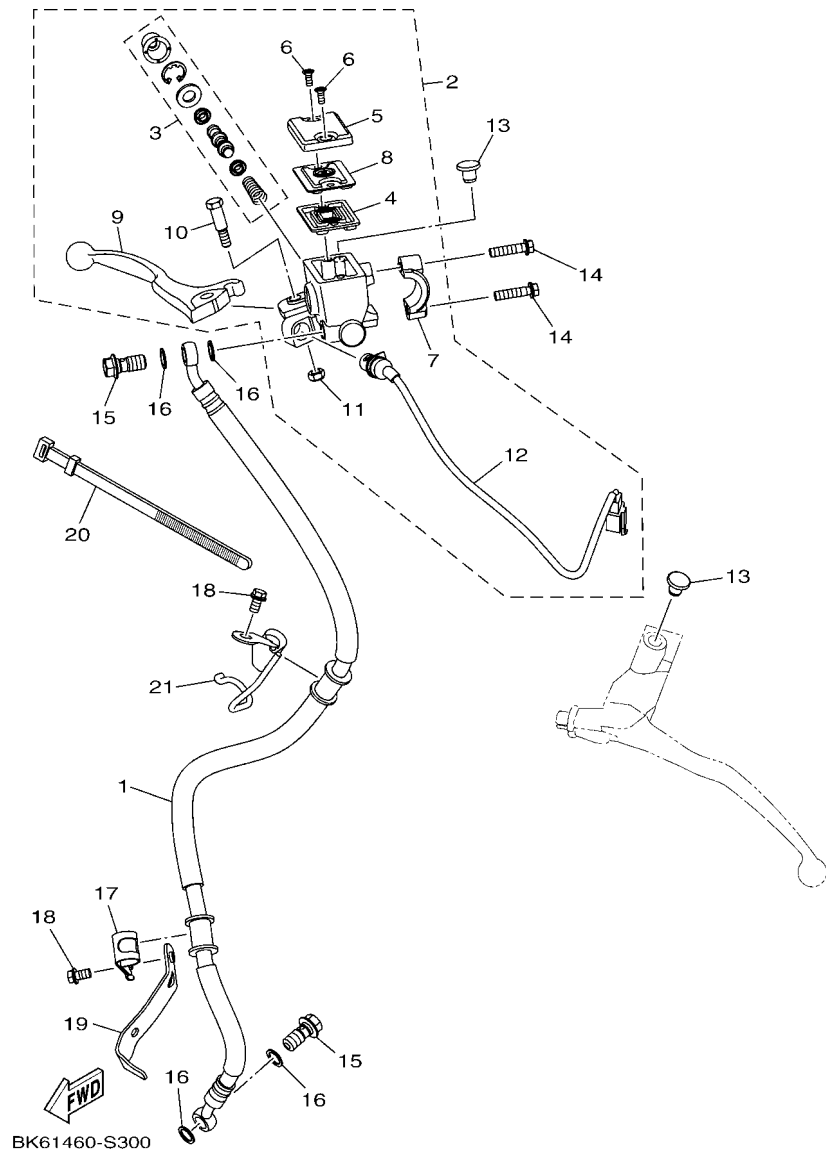
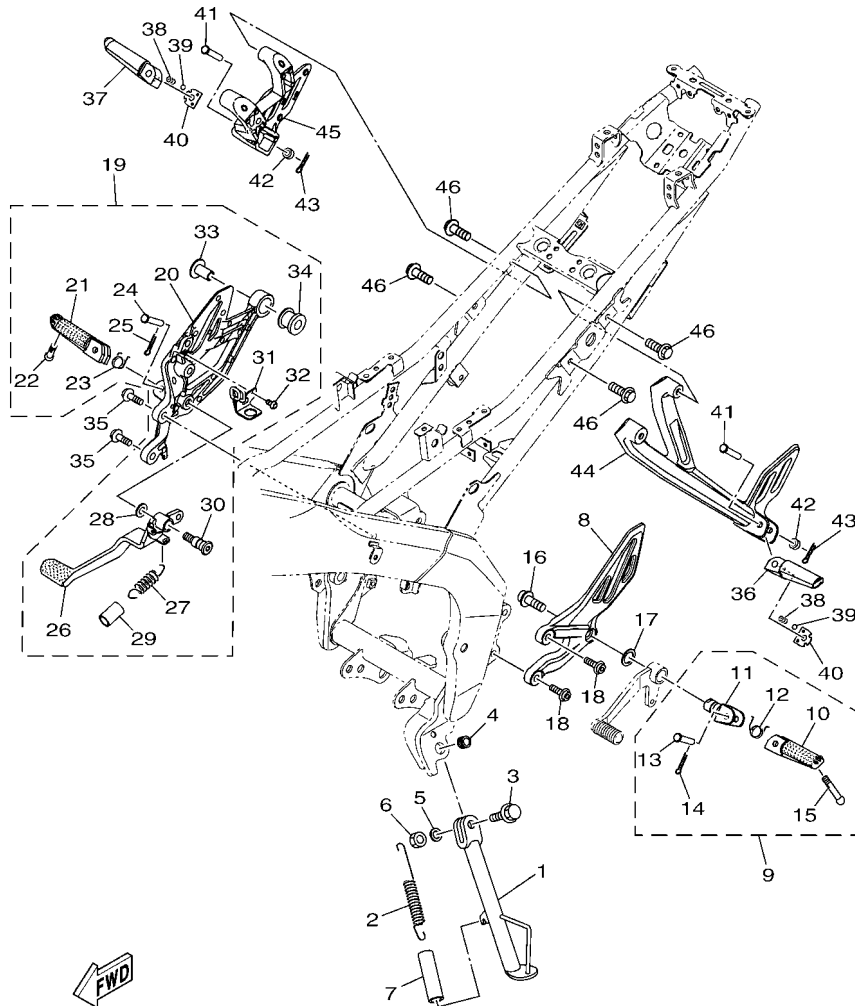


FIG. 30 FRONT MASTER CYLINDER

REF. NO.	PART NO.	DESCRIPTION	B2S4				REMARKS
1	BK6-F5872-00	HOSE, BRAKE 1	1				
2	45P-F583T-01	MASTER CYLINDER ASSY	1				
3	5P0-W0041-00	.CYLINDER KIT, MASTER	1				
4	3RW-F5854-00	.DIAPHRAGM, RESERVOIR	1				
5	3C1-F5852-00	.CAP, RESERVOIR	1				
6	36Y-2589H-00	.SCREW	2				
7	3RW-F5867-00	.BRACKET, MASTER CYLINDER	1				
8	3C1-F5855-00	.BUSH,DIAPHRAGM	1				
9	38B-H3922-00	.LEVER 2	1				
10	90109-06577	.BOLT	1				
11	95602-06100	.NUT, SELF-LOCKING	1				
12	45P-H3980-00	.FRONT STOP SWITCH ASSY	1				
13	90338-09803	PLUG	2				
14	95E37-06025	BOLT, FLANGE DEEP RECESS	2				
15	90401-10812	BOLT, UNION	2				
16	90201-10118	WASHER, PLATE	4				
17	BK6-F5886-00	HOLDER, BRAKE HOSE	1				
18	95027-06010	BOLT, FLANGE	2				
19	BK6-F5876-00	HOLDER, BRAKE HOSE 2	1				
20	3AY-H3936-00	BAND, SWITCH CORD	1				
21	BK6-F5887-00	HOLDER, BRAKE HOSE 3	1				

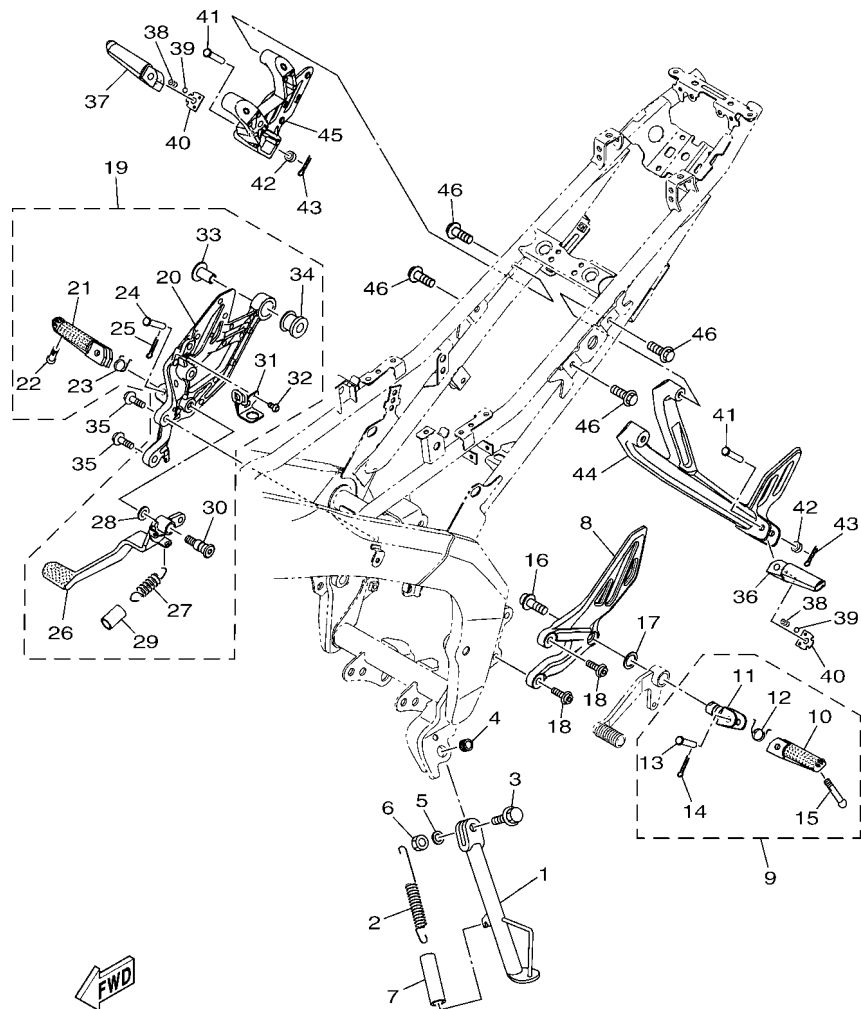
FIG. 31 STAND & FOOTREST



B2S1440-T310

REF. NO.	PART NO.	DESCRIPTION	B2S4				REMARKS
1	BK6-F7311-00	STAND, SIDE	1				
2	90506-28800	SPRING, TENSION	1				
3	90105-10888	BOLT, FLANGE	1				
4	90387-10003	COLLAR	1				
5	92902-10600	WASHER, PLATE	1				
6	95612-10100	NUT, U	1				
7	90445-21848	HOSE (L70)	1				
8	BK6-F7442-00	BRACKET 2	1				
9	BK6-F7410-00	FRONT FOOTREST ASSY (LEFT)	1				
10	20P-F7451-00	.FOOTREST	1				
11	5BP-F7411-00	.FOOTREST 1	1				
12	90508-183B9	.SPRING, TORSION	1				
13	91701-08035	.PIN	1				
14	91401-25015	.PIN, COTTER	1				
15	90109-086F8	.BOLT	1				
16	90110-10025	BOLT, HEXAGON SOCKET HEAD	1				
17	90201-173U5	WASHER, PLATE	1				
18	90110-08803	BOLT, HEXAGON SOCKET HEAD	2				
19	BK6-F7404-10	FOOTREST ASSY 2	1				
20	BK6-F7443-00	.BRACKET 3	1				
21	20P-F7461-00	.FOOTREST	1				
22	90109-086F8	.BOLT	1				
23	90508-184B0	.SPRING, TORSION	1				
24	90240-08145	.PIN, CLEVIS	1				
25	91401-25015	.PIN, COTTER	1				
26	BK7-F7211-00	.PEDAL, BRAKE	1				
27	90506-26807	.SPRING, TENSION	1				

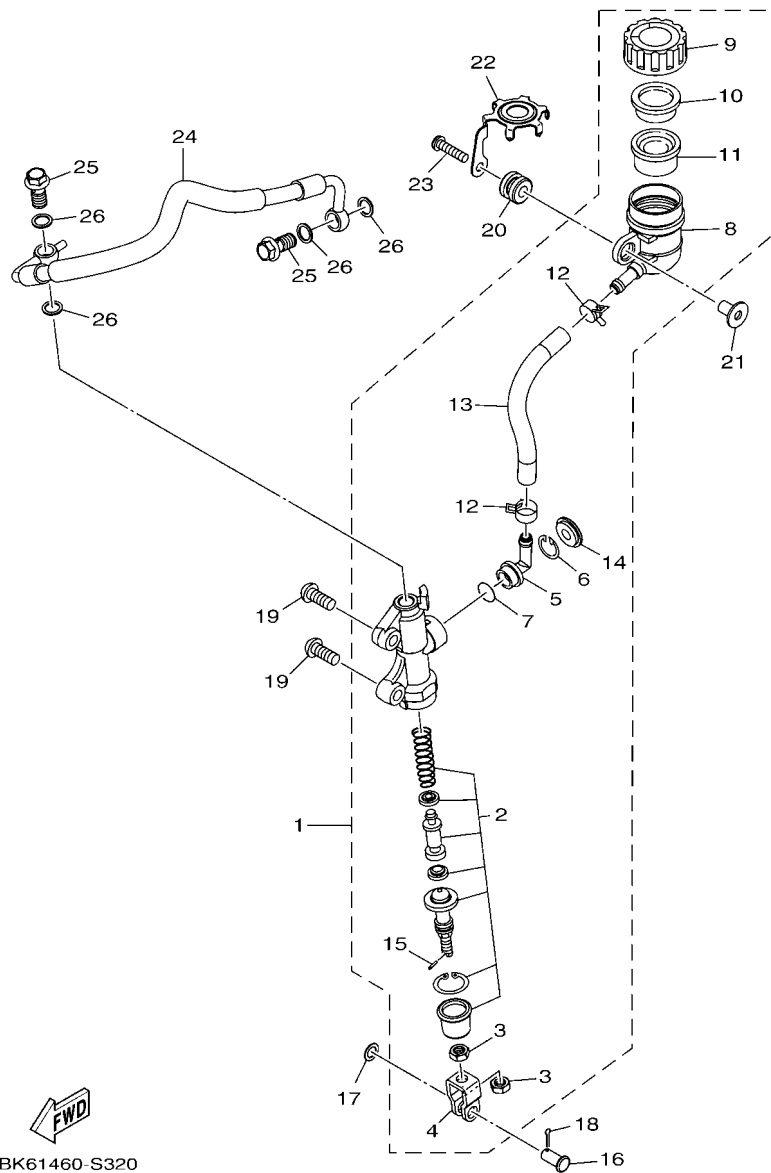
FIG. 31 STAND & FOOTREST



B2S1440-T310

REF. NO.	PART NO.	DESCRIPTION	B2S4				REMARKS
28	90201-10021	.WASHER, PLATE	1				
29	90445-19807	.HOSE	1				
30	45P-F7261-00	.SHAFT	1				
31	BK6-F144G-10	.STAY, STOP SWITCH	1				
32	92012-06010	.BOLT, BUTTON HEAD	1				
33	90387-08842	.COLLAR	1				
34	BK6-E4747-00	.DAMPER, MUFFLER	1				
35	90110-08803	BOLT, HEXAGON SOCKET HEAD	2				
36	45P-F7431-00	FOOTREST, REAR 1	1				
37	45P-F7441-00	FOOTREST, REAR 2	1				
38	90501-12743	SPRING, COMPRESSION	2				
39	93501-04830	BALL	2				
40	1WD-F7437-00	WASHER, SPECIAL	2				
41	91702-08042	PIN, CLEVIS	2				
42	B2S-F7473-00	DAMPER	2				
43	91401-25015	PIN, COTTER	2				
44	BK6-F741L-00	BRACKET 4	1				
45	BK6-F742L-00	BRACKET 5	1				
46	90105-08180	BOLT, FLANGE	4				

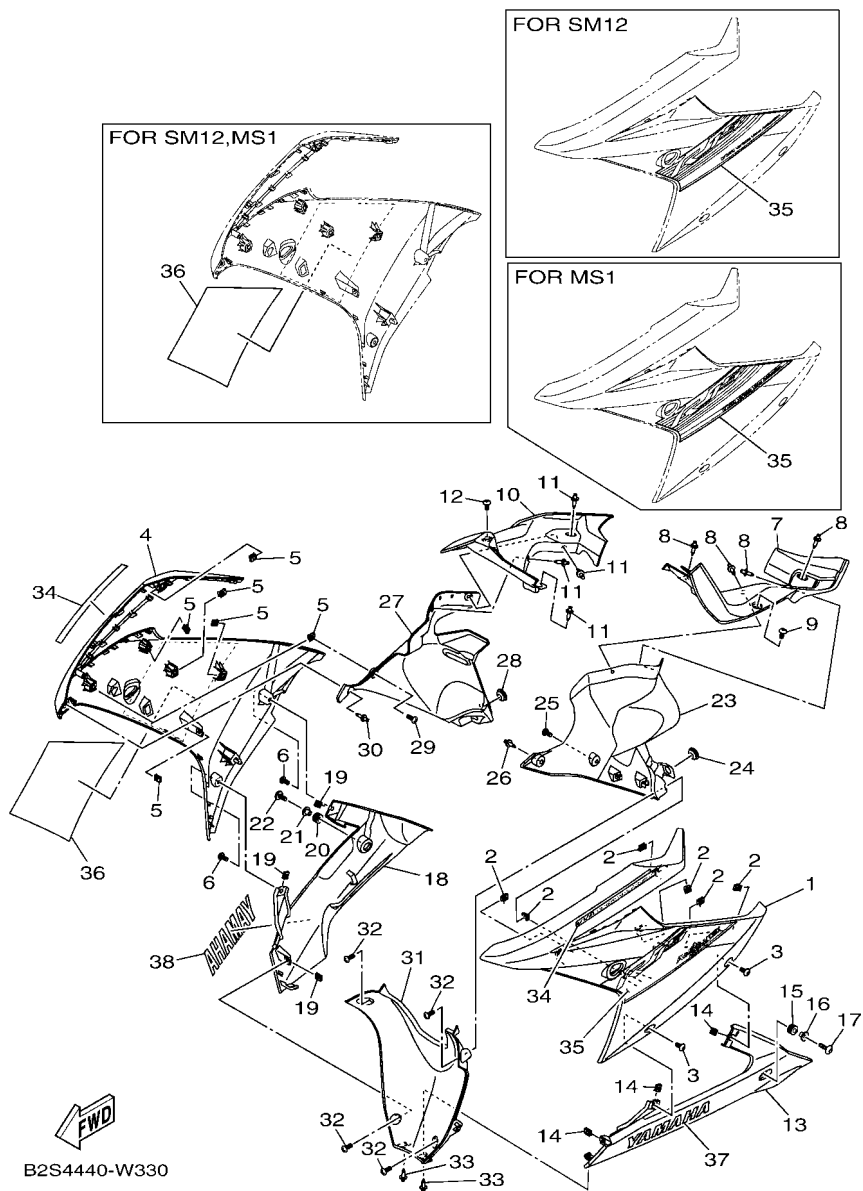
FIG. 32 REAR MASTER CYLINDER



BK61460-S320

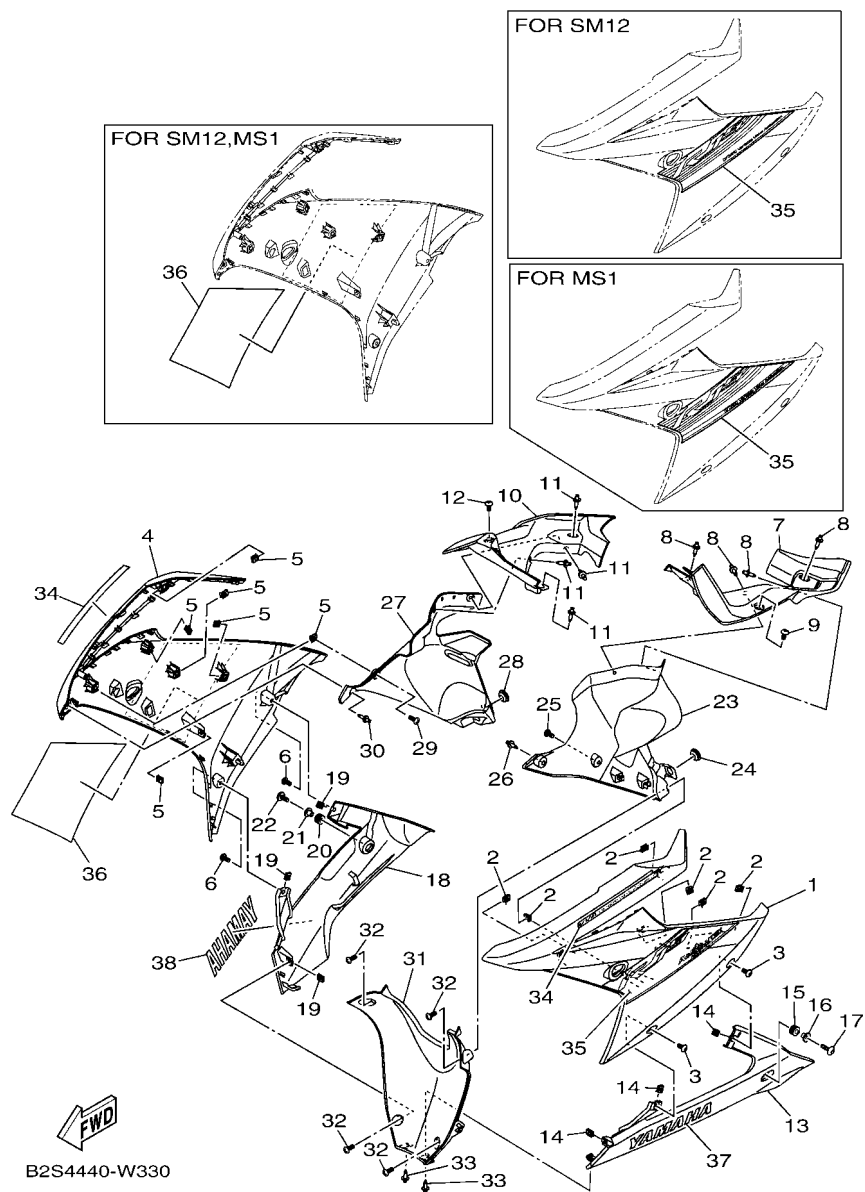
REF. NO.	PART NO.	DESCRIPTION	B2S4				REMARKS
1	BK6-F580E-00	REAR MASTER CYLINDER ASSY	1				
2	B97-F5808-00	.CYLINDER KIT, MASTER	1				
3	95302-08700	.NUT, HEXAGON	2				
4	50C-F7222-00	.JOINT	1				
5	50C-F582A-50	.JOINT	1				
6	50C-F5866-00	.CIRCLIP	1				
7	93210-15620	.O-RING	1				
8	50C-F5894-11	.TANK, RESERVOIR	1				
9	BK6-F5852-00	.CAP, RESERVOIR	1				
10	50C-F5855-00	.BUSH,DIAPHRAGM	1				
11	2VN-F5854-00	.DIAPHRAGM, RESERVOIR	1				
12	90467-12085	.CLIP	2				
13	BK6-F5895-00	.HOSE, RESERVOIR	1				
14	50C-F589A-00	.COVER, DUST	1				
15	5BU-27234-00	.PIN, BRAKE ROD	1				
16	90240-08005	PIN, CLEVIS	1				
17	90201-08066	WASHER, PLATE	1				
18	91401-20012	PIN, COTTER	1				
19	92012-08020	BOLT, BUTTON HEAD	2				
20	55C-F4742-00	GROMMET	1				
21	55C-F6259-00	COLLAR	1				
22	50C-F5888-00	COVER, RESERVOIR TANK	1				
23	98507-06025	SCREW, PAN HEAD	1				
24	BK6-F5873-00	HOSE, BRAKE 2	1				
25	90401-10812	BOLT, UNION	2				
26	90201-10118	WASHER, PLATE	4				

FIG. 33 LEG SHIELD



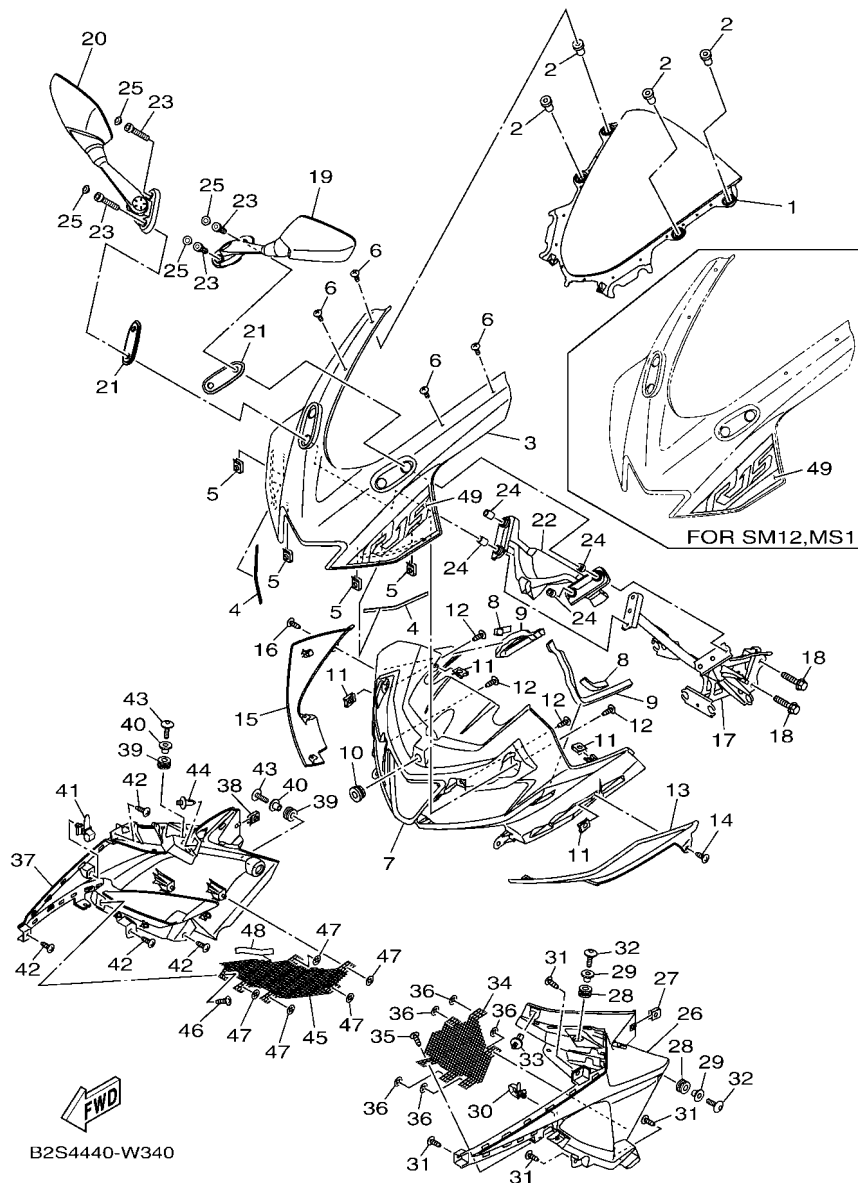
REF. NO.	PART NO.	DESCRIPTION	B2S4	REMARKS
1	BK6-F835U-00-P0	PANEL 1	1	UR FOR DPBMC
	BK6-F835U-00-P1	PANEL 1	1	UR MBL2 FOR SM12
	BK6-F835U-00-P7	PANEL 1	1	UR FOR MS1
2	90183-05807	NUT, SPRING	6	
3	90160-05812	SCREW, ROUND TAPPING	2	
4	BK6-F835V-00-P0	PANEL 2	1	UR FOR DPBMC
	BK6-F835V-00-P1	PANEL 2	1	UR MBL2 FOR SM12
	BK6-F835V-00-P7	PANEL 2	1	UR FOR MS1
5	90183-05807	NUT, SPRING	6	
6	90160-05812	SCREW, ROUND TAPPING	2	
7	BK6-F837L-00	PANEL, CONSOLE 1	1	
8	90269-06816	RIVET	4	
9	90160-05812	SCREW, ROUND TAPPING	1	
10	BK6-F837M-00	PANEL, CONSOLE 2	1	
11	90269-06816	RIVET	4	
12	90160-05812	SCREW, ROUND TAPPING	1	
13	BK6-F8385-00-P2	COVER, UNDER	1	UR FOR DPBMC
	BK6-F8385-00-P5	COVER, UNDER	1	UR MBL2 FOR SM12
	BK6-F8385-00-WN	COVER, UNDER	1	UR CIS FOR MS1
14	90183-05807	NUT, SPRING	3	
15	90480-12808	GROMMET	1	
16	90387-06899	COLLAR	1	
17	90111-06117	BOLT,HEX. SOCKET BUTTON	1	
18	BK6-F8395-00-P2	COVER, UNDER 2	1	UR FOR DPBMC
	BK6-F8395-00-P5	COVER, UNDER 2	1	UR MBL2 FOR SM12
	BK6-F8395-00-WN	COVER, UNDER 2	1	UR CIS FOR MS1
19	90183-05807	NUT, SPRING	3	

FIG. 33 LEG SHIELD



REF. NO.	PART NO.	DESCRIPTION	B2S4	REMARKS
20	90480-12808	GROMMET	1	
21	90387-06899	COLLAR	1	
22	90111-06117	BOLT,HEX. SOCKET BUTTON	1	
23	BK6-F836K-00	PANEL, INNER 1	1	
24	90480-01559	GROMMET	1	
25	97707-50016	SCREW, TRUSS HEAD TAPPING	1	
26	90269-06816	RIVET	1	
27	BK6-F836L-00	PANEL, INNER 2	1	
28	90480-01559	GROMMET	1	
29	97707-50016	SCREW, TRUSS HEAD TAPPING	1	
30	90269-06816	RIVET	1	
31	BK6-F836M-00	PANEL, INNER 3	1	
32	97707-50016	SCREW, TRUSS HEAD TAPPING	4	
33	90269-06816	RIVET	2	
34	B2S-F8398-60	GRAPHIC 5	2	FOR DPBMC
35	B2S-F839A-70	GRAPHIC 7	1	UR FOR DPBMC
	B2S-F839A-80	GRAPHIC 7	1	UR FOR SM12
	B2S-F839A-90	GRAPHIC 7	1	UR FOR MS1
36	B2S-F839E-70	GRAPHIC 8	1	UR FOR DPBMC
	B2S-F839E-80	GRAPHIC 8	1	UR FOR SM12
	B2S-F839E-90	GRAPHIC 8	1	UR FOR MS1
37	99236-00180	EMBLEM, YAMAHA	1	UR FOR DPBMC,MS1
	99237-00180	EMBLEM, YAMAHA	1	UR FOR SM12
38	99236-00180	EMBLEM, YAMAHA	1	UR FOR DPBMC,MS1
	99237-00180	EMBLEM, YAMAHA	1	UR FOR SM12

FIG. 34 WINDSHIELD



REF. NO.	PART NO.	DESCRIPTION	B2S4	REMARKS
1	BK6-F8381-00	WINDSHIELD	1	
2	90179-05849	NUT	4	
3	BK6-F8351-00-P0	BODY, COWLING	1	UR FOR DPBMC
	BK6-F8351-00-P1	BODY, COWLING	1	UR MBL2 FOR SM12
	BK6-F8351-00-P6	BODY, COWLING	1	UR FOR MS1
4	90520-02838	DAMPER, PLATE	2	
5	90183-05807	NUT, SPRING	4	
6	90150-05023	SCREW, ROUND HEAD	4	
7	BK6-F835G-00	BODY, FRONT UPPER 1	1	
8	90520-10840	DAMPER, PLATE	2	
9	90520-10841	DAMPER, PLATE	2	
10	90480-13398	GROMMET	1	
11	90183-05807	NUT, SPRING	4	
12	97702-50016	SCREW, TAPPING	4	
13	BK6-F172G-00-P0	PANEL 3	1	UR FOR DPBMC
	BK6-F172G-00-P4	PANEL 3	1	UR FOR SM12
	BK6-F172G-00-WN	PANEL 3	1	UR CIS FOR MS1
14	97702-50012	SCREW, TAPPING	1	
15	BK6-F172H-00-P0	PANEL 4	1	UR FOR DPBMC
	BK6-F172H-00-P4	PANEL 4	1	UR FOR SM12
	BK6-F172H-00-WN	PANEL 4	1	UR CIS FOR MS1
16	97702-50012	SCREW, TAPPING	1	
17	BK6-F8356-00	STAY 1	1	
18	90105-08002	BOLT, FLANGE	2	
19	BK7-F6280-00	REAR VIEW MIRROR ASSY (LEFT)	1	
20	BK7-F6290-00	REAR VIEW MIRROR ASSY (RIGHT)	1	
21	BK6-F8483-00	PLATE, RUBBER 1	2	

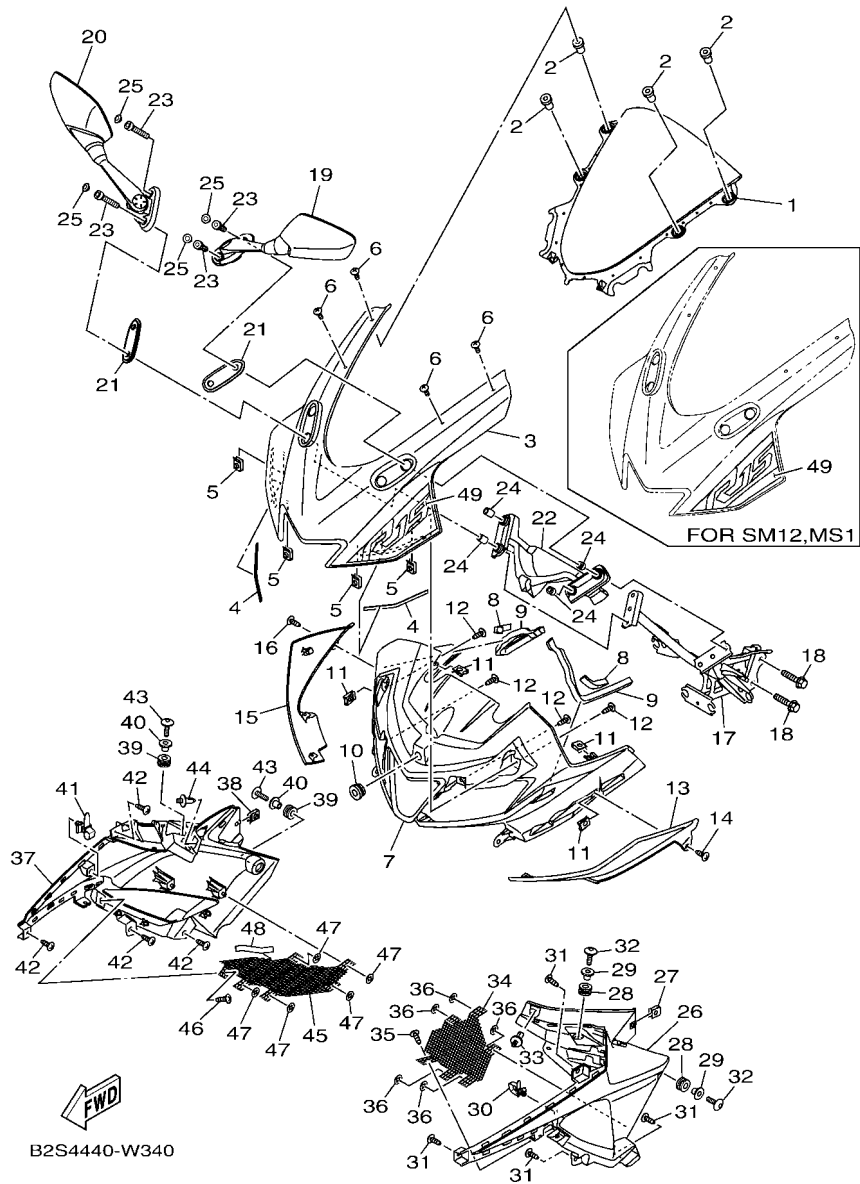
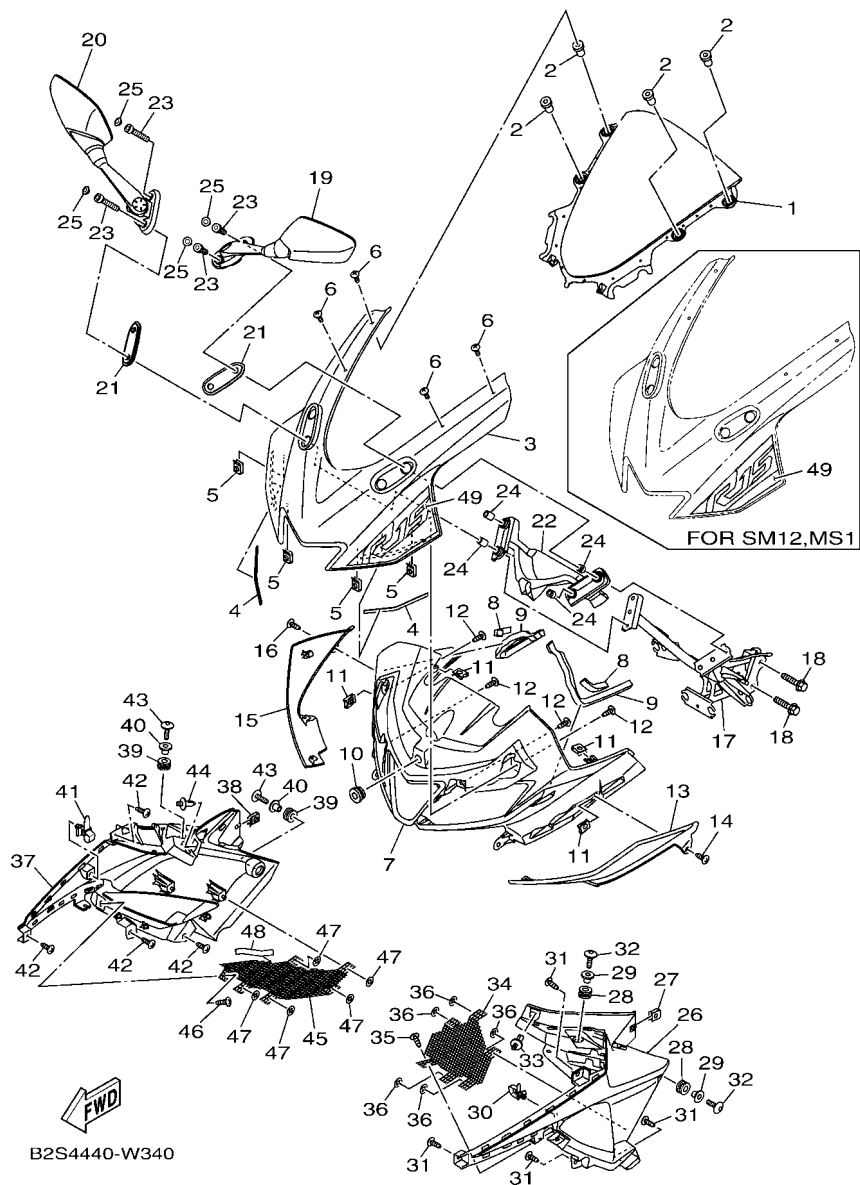


FIG. 34 WINDSHIELD

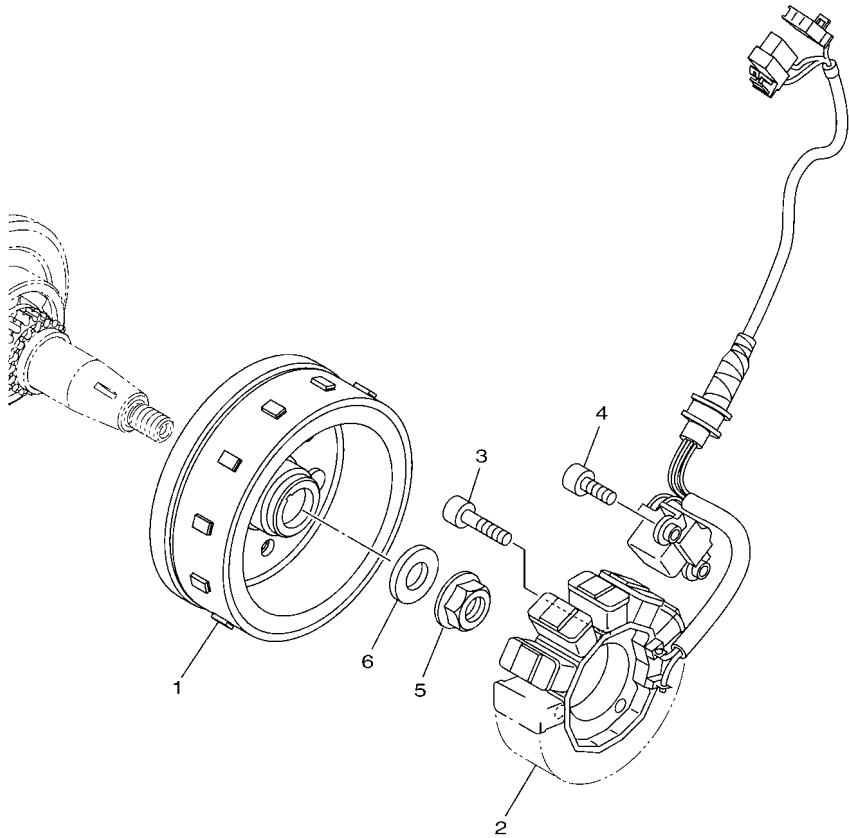
REF. NO.	PART NO.	DESCRIPTION	B2S4	REMARKS
22	BK6-F8484-00	PLATE, RUBBER 2	1	
23	91317-06030	BOLT,HEX.SOCKET HEAD	4	
24	90387-06131	COLLAR	4	
25	20P-F3469-00	CAP, BOLT	4	
26	BK6-F117V-00	COVER 7	1	
27	90183-05807	NUT, SPRING	1	
28	90480-12808	GROMMET	2	
29	90387-06899	COLLAR	2	
30	90464-12036	CLAMP	1	
31	97702-50016	SCREW,TAPPING	4	
32	90111-06117	BOLT,HEX. SOCKET BUTTON	2	
33	90269-06816	RIVET	1	
34	BK6-F837V-01	GRILL, AIR OUTLET 1	1	
35	97702-50016	SCREW,TAPPING	1	
36	90183-05067	NUT, SPRING	5	
37	BK6-F117W-00	COVER 8	1	
38	90183-05807	NUT, SPRING	1	
39	90480-12808	GROMMET	2	
40	90387-06899	COLLAR	2	
41	90464-12036	CLAMP	1	
42	97702-50016	SCREW,TAPPING	4	
43	90111-06117	BOLT,HEX. SOCKET BUTTON	2	
44	90269-06816	RIVET	1	
45	BK6-F837W-01	GRILL, AIR OUTLET 2	1	
46	97702-50016	SCREW,TAPPING	1	
47	90183-05067	NUT, SPRING	5	
48	1WD-F1278-00	MOLD	1	

FIG. 34 WINDSHIELD



REF. NO.	PART NO.	DESCRIPTION	B2S4		REMARKS
49	B2S-F8393-70	GRAPHIC 3	1		UR FOR DPBMC
	B2S-F8393-80	GRAPHIC 3	1		UR FOR SM12
	B2S-F8393-90	GRAPHIC 3	1		UR FOR MS1

FIG. 35 GENERATOR



REF. NO.	PART NO.	DESCRIPTION	B2S4				REMARKS
1	2PV-H1450-01	ROTOR ASSY	1				
2	BK6-H1410-02	STATOR ASSY	1				
3	91312-06025	BOLT, HEXAGON SOCKET HEAD	3				
4	91312-06016	BOLT, HEXAGON SOCKET HEAD	2				
5	95702-12500	NUT, FLANGE	1				
6	90201-12019	WASHER, PLATE	1				

 BK61460-S350

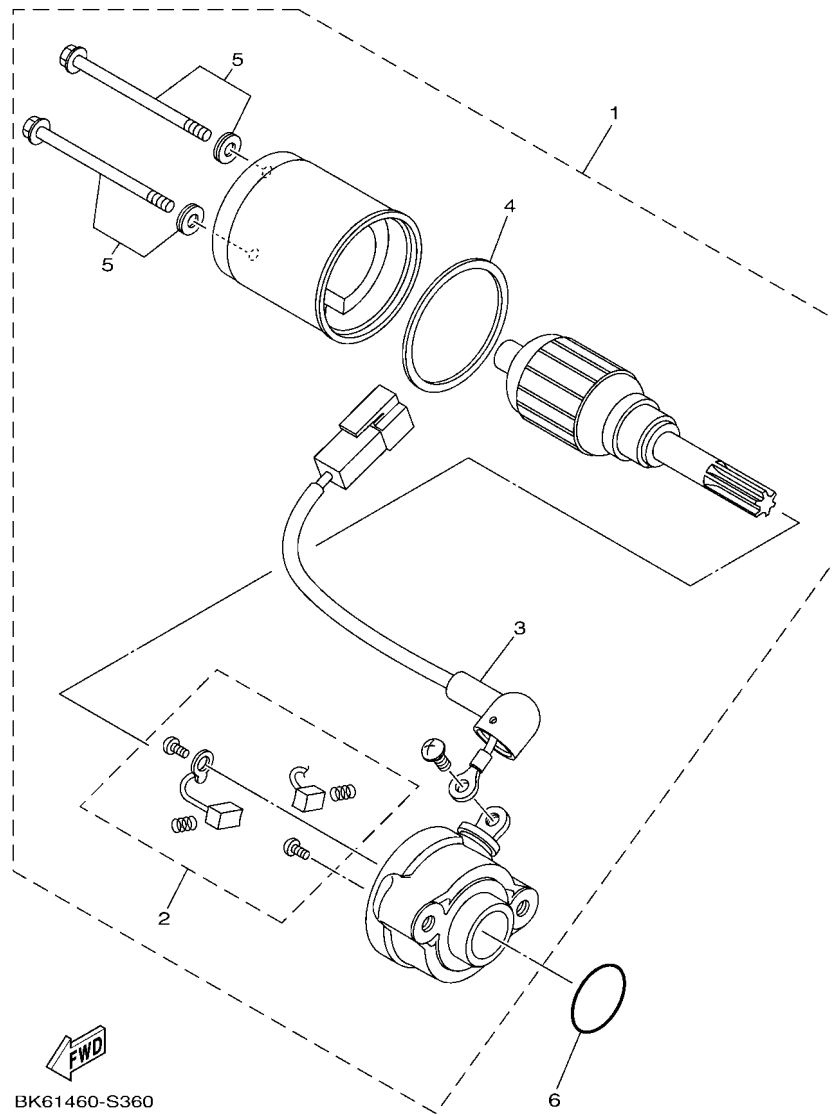
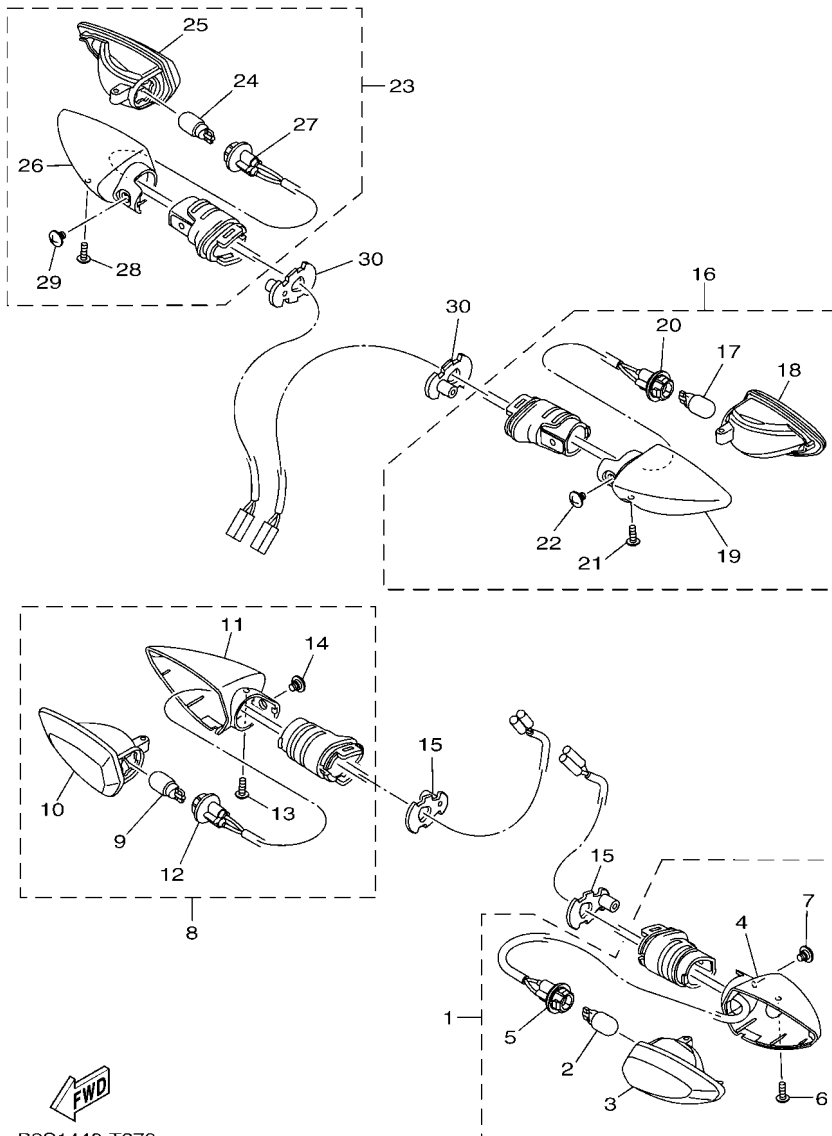


FIG. 36 STARTING MOTOR

REF. NO.	PART NO.	DESCRIPTION	B2S4	REMARKS
1	BK6-H1800-00	STARTING MOTOR ASSY	1	
2	2PH-H1801-10	.BRUSH SET	1	
3	1FD-H183G-00	.CORD COMP.	1	
4	5D9-H1861-00	.GASKET	1	
5	5D9-H1828-00	.SCREW SET	2	
6	93210-26805	O-RING	1	

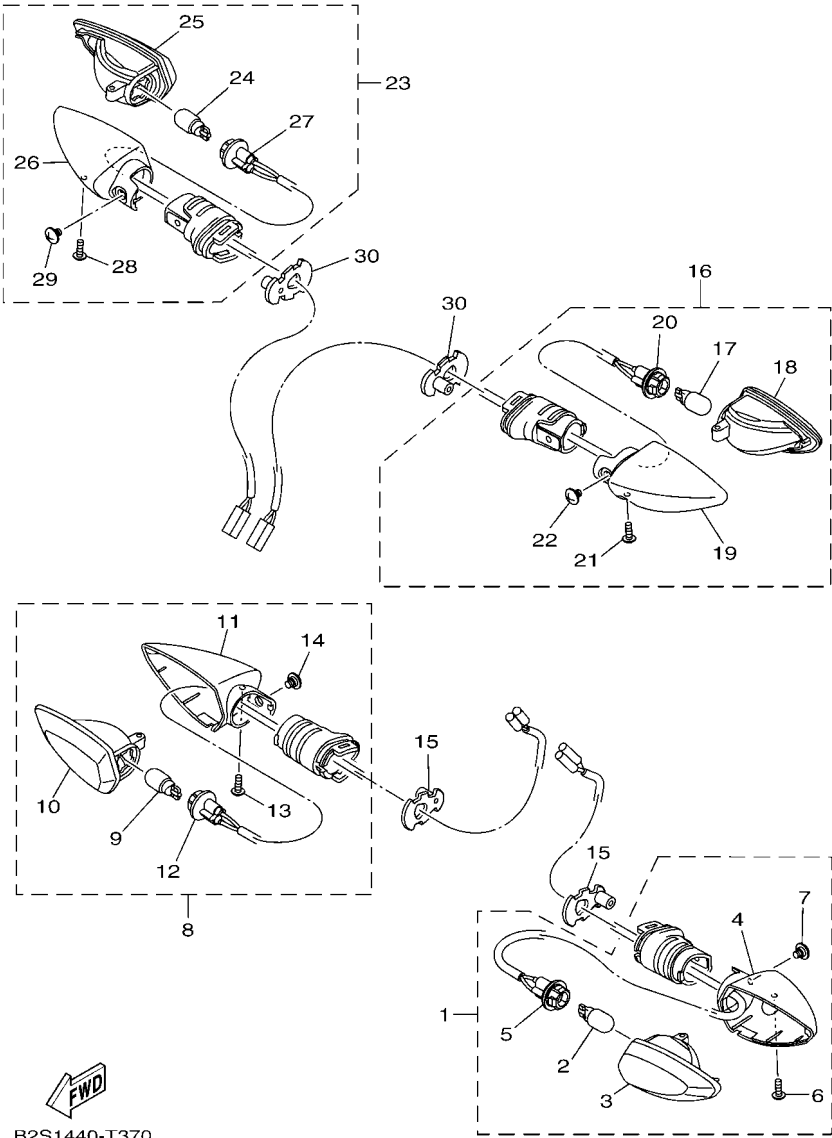


B2S1440-T370

FIG. 37 FLASHER LIGHT

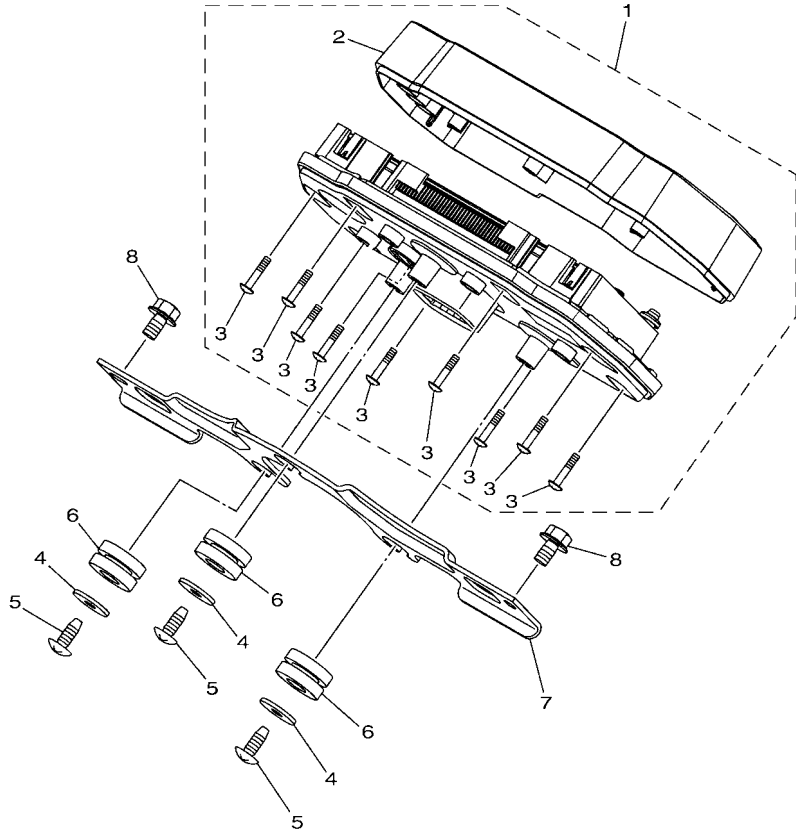
REF. NO.	PART NO.	DESCRIPTION	B2S4	REMARKS
1	B2S-H3310-00	FRONT FLASHER LIGHT ASSY 1	1	
2	55D-H3311-00	.BULB, FLASHER (12V-10W)	1	
3	55D-H334A-00	.LENS COMP 2	1	
4	55D-H332M-00	.BODY 2	1	
5	B2S-H331E-00	.CORD ASSY	1	
6	55D-H3333-00	.SCREW, LENS FITTING	1	
7	55D-H3358-00	.SCREW, SPECIAL	1	
8	B2S-H3320-00	FRONT FLASHER LIGHT ASSY 2	1	
9	55D-H3311-00	.BULB, FLASHER (12V-10W)	1	
10	55D-H333A-00	.LENS COMP 1	1	
11	55D-H3323-00	.BODY	1	
12	B2S-H332E-00	.CORD ASSY	1	
13	55D-H3333-00	.SCREW, LENS FITTING	1	
14	55D-H3358-00	.SCREW, SPECIAL	1	
15	1VP-H3318-00	STAY, FLASHER 1	2	
16	B2S-H3330-00	REAR FLASHER LIGHT ASSY 1	1	
17	55D-H3311-00	.BULB, FLASHER (12V-10W)	1	
18	55D-H333A-00	.LENS COMP 1	1	
19	55D-H3323-00	.BODY	1	
20	B2S-H333E-00	.CORD ASSY	1	
21	55D-H3333-00	.SCREW, LENS FITTING	1	
22	55D-H3358-00	.SCREW, SPECIAL	1	
23	B2S-H3340-00	REAR FLASHER LIGHT ASSY 2	1	
24	55D-H3311-00	.BULB, FLASHER (12V-10W)	1	
25	55D-H334A-00	.LENS COMP 2	1	
26	55D-H332M-00	.BODY 2	1	
27	B2S-H334E-00	.CORD ASSY	1	

FIG. 37 FLASHER LIGHT



REF. NO.	PART NO.	DESCRIPTION	B2S4	REMARKS
28	55D-H3333-00	.SCREW, LENS FITTING	1	
29	55D-H3358-00	.SCREW, SPECIAL	1	
30	1VP-H3318-00	STAY, FLASHER 1	2	

FIG. 38 METER

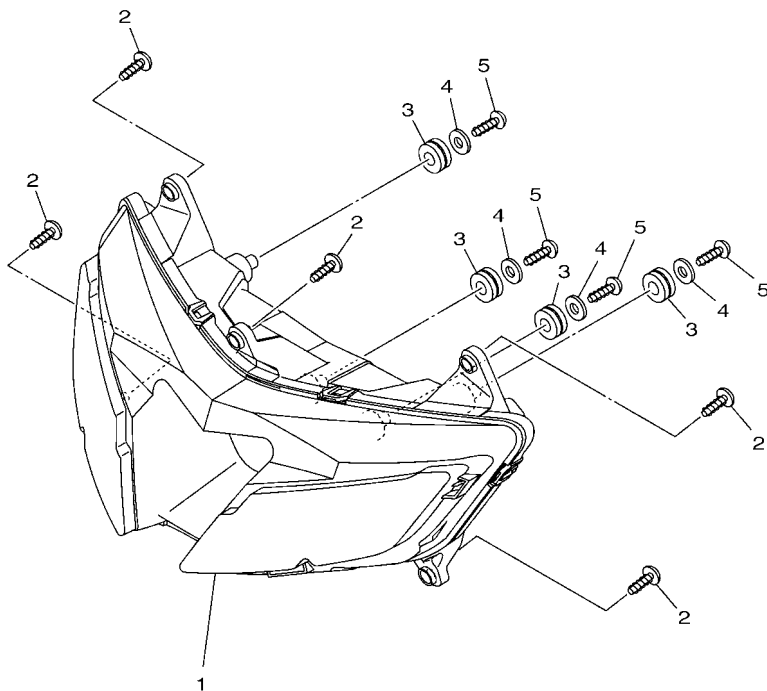


REF. NO.	PART NO.	DESCRIPTION	B2S4				REMARKS
1	BK6-H3500-02	METER ASSY	1				
2	BK6-H3571-01	.CASE, SPEEDOMETER UPPER	1				
3	97702-30016	.SCREW,TAPPING	9				
4	90201-05036	WASHER, PLATE	3				
5	97702-50014	SCREW, TAPPING	3				
6	90480-14004	GROMMET	3				
7	BK6-H3519-00	BRACKET, METER	1				
8	95D02-06010	BOLT, FLANGE DEEP RECESS	2				

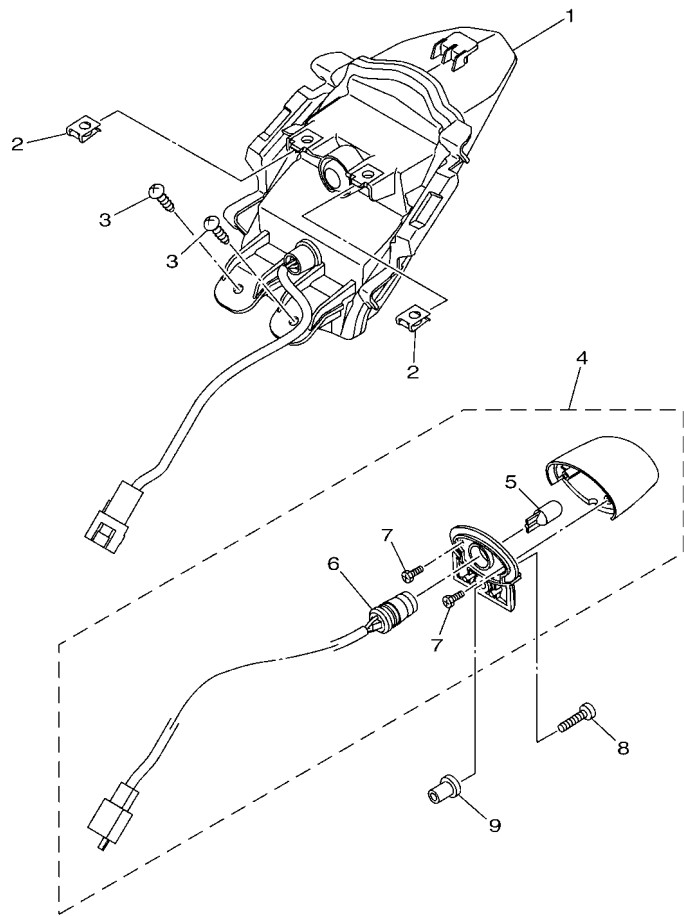

BK66460-U380

FIG. 39 HEADLIGHT

REF. NO.	PART NO.	DESCRIPTION	B2S4	REMARKS
1	BK6-H4300-00	HEADLIGHT ASSY	1	
2	90160-05012	SCREW, ROUND TAPPING	5	
3	90480-14229	GROMMET	4	
4	90201-05036	WASHER, PLATE	4	
5	97702-50016	SCREW, TAPPING	4	



BK61460-S390



BK63460-T400

FIG. 40 TAILLIGHT

REF. NO.	PART NO.	DESCRIPTION	B2S4				REMARKS
1	BK7-H4710-00	TAILLIGHT UNIT ASSY	1				
2	90183-05807	NUT, SPRING	2				
3	97702-50016	SCREW, TAPPING	2				
4	BK6-H4740-00	LICENCE LIGHT ASSY	1				
5	1WD-H4744-00	.BULB (12V-5W)	1				
6	BK6-H4547-00	.CORD, LICENCE LIGHT	1				
7	1CK-H4726-00	.SCREW	2				
8	98907-04020	SCREW, BIND	1				
9	90179-04003	NUT	1				

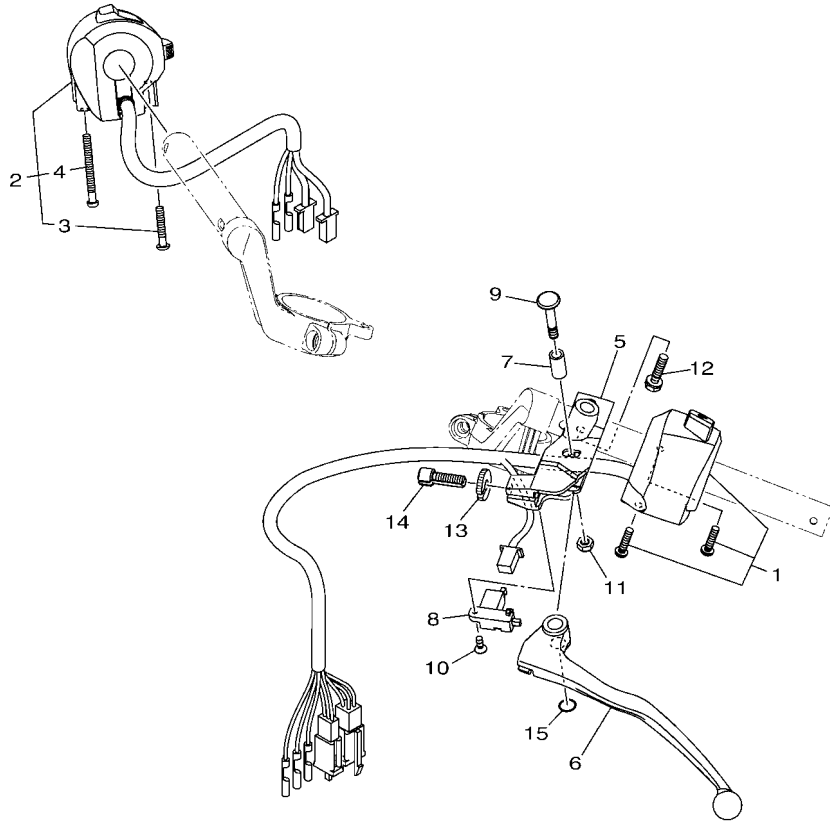


FIG. 41 HANDLE SWITCH & LEVER

REF. NO.	PART NO.	DESCRIPTION	B2S4				REMARKS
1	BK6-H3972-00	SWITCH, HANDLE 4	1				
2	BK6-H3963-00	SWITCH, HANDLE 3	1				
3	45P-H2133-00	.SCREW, FITTING	1				
4	45P-H395W-00	.SCREW, SWITCH FITTING	1				
5	3KA-H2911-00	HOLDER, LEVER 1	1				
6	2TP-H3912-00	LEVER 1	1				
7	3KA-H3913-00	COLLAR, LEVER 1	1				
8	5BP-H2917-00	SWITCH	1				
9	3KA-H3945-00	BOLT, LEVER	1				
10	90151-03005	SCREW, COUNTERSUNK	1				
11	95602-06100	NUT, SELF-LOCKING	1				
12	97507-06525	BOLT, WITH WASHER	1				
13	90179-08148	NUT	1				
14	90123-08046	BOLT	1				
15	93210-108H5	O-RING	1				



BK61460-S410

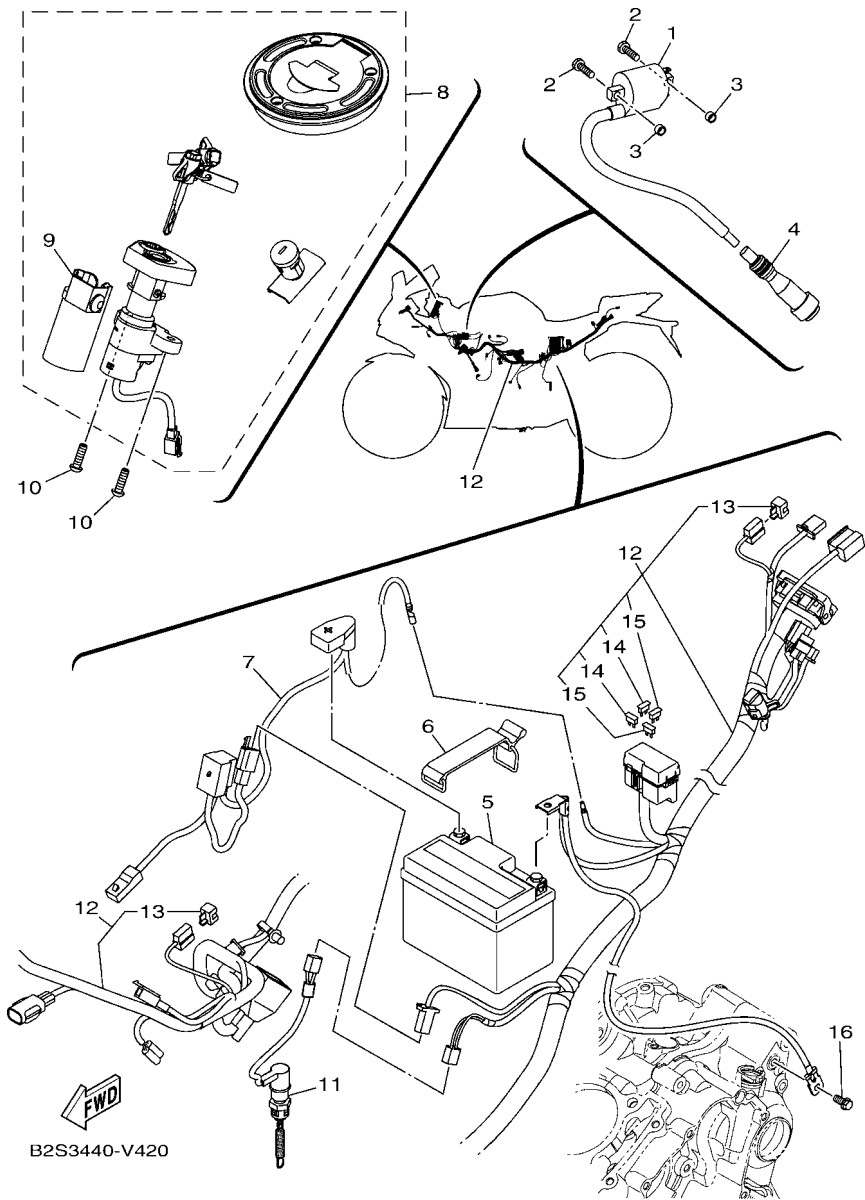
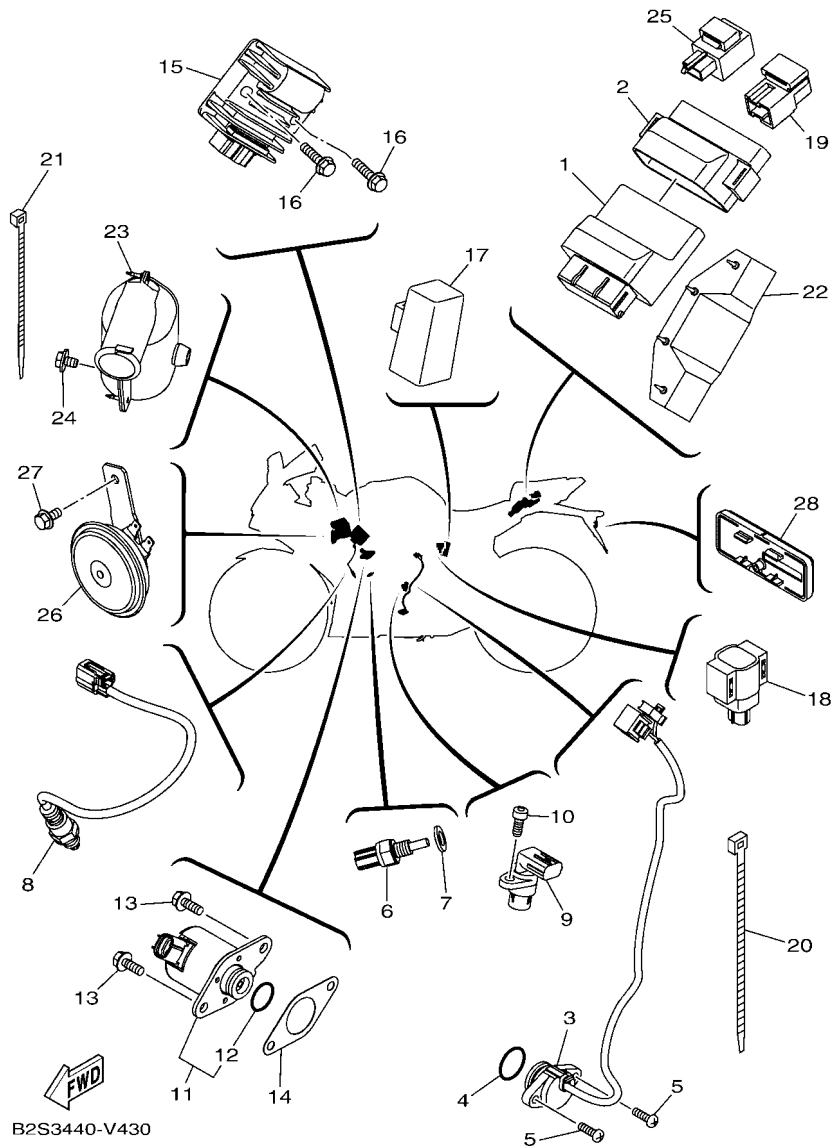


FIG. 42 ELECTRICAL 1

REF. NO.	PART NO.	DESCRIPTION	B2S4	REMARKS
1	2UP-H2310-00	IGNITION COIL ASSY	1	
2	97080-06020	BOLT	2	
3	90387-06M30	COLLAR	2	
4	BK6-H2370-00	PLUG CAP ASSY	1	
5	14D-H2100-10	BATTERY ASSY (GS GZ4V)	1	UR
	14D-H2100-00	BATTERY ASSY (YUASA YTZ4V)	1	UR
6	3C1-H2131-00	BAND, BATTERY	1	
7	BK6-H2115-00	WIRE, PLUS LEAD	1	
8	BK6-XH250-01	MAIN SW. STRG. LOCK SUB ASSY	1	
9	BK6-H2568-00	.COVER, MAIN SWITCH	1	
10	90111-06177	BOLT,HEX. SOCKET BUTTON	2	
11	B2S-H2530-00	STOP SWITCH ASSY	1	
12	B2S-H2590-00	WIRE HARNESS ASSY	1	
13	3WP-81980-00	.DIODE ASSY	2	
14	B65-H2151-10	.FUSE (15A)	2	
15	B65-H2151-80	.FUSE (2A)	2	
16	95022-06012	BOLT, FLANGE	1	

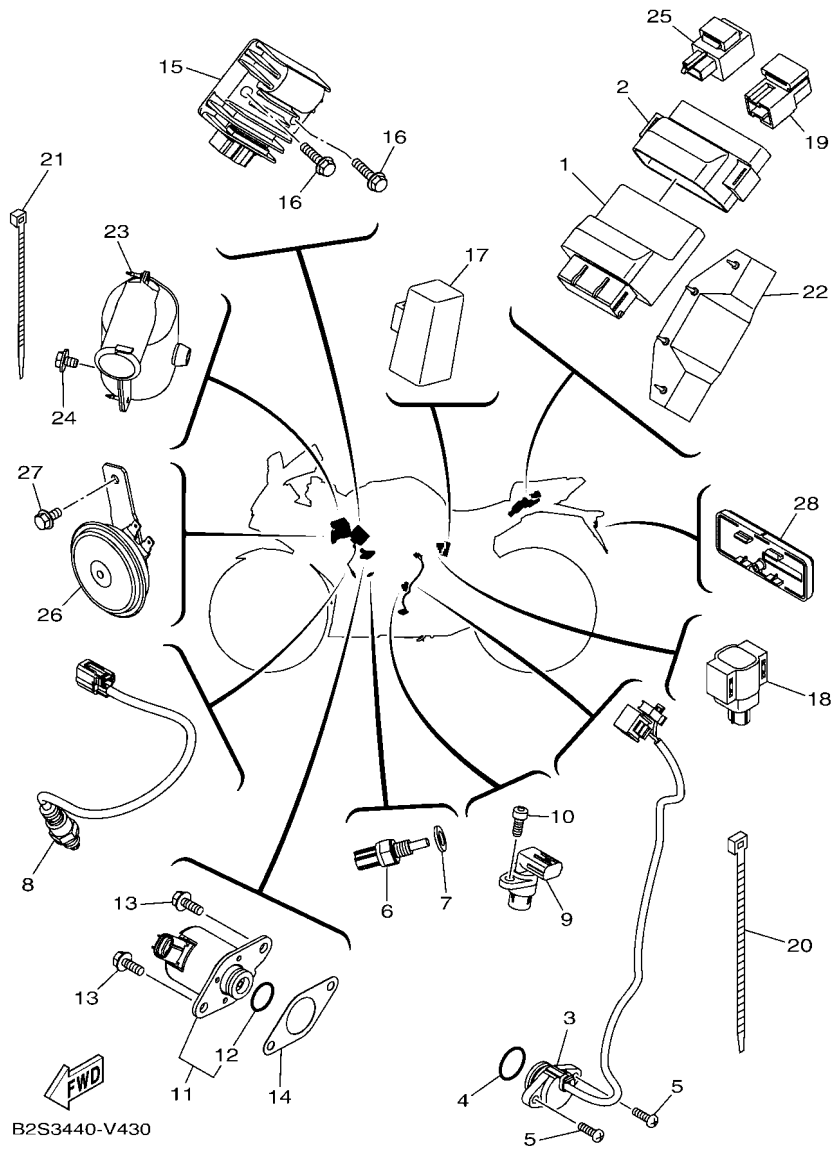


B2S3440-V430

FIG. 43 ELECTRICAL 2

REF. NO.	PART NO.	DESCRIPTION	B2S4	REMARKS
1	BK6-H591A-00	ENGINE CONTROL UNIT ASSY	1	
2	BK6-H5546-00	BAND	1	
3	BK6-H2540-01	NEUTRAL SWITCH ASSY	1	
4	93210-21801	O-RING	1	
5	98502-05016	SCREW,PAN HEAD	2	
6	54P-H3591-00	THERMO UNIT	1	
7	90430-10804	GASKET	1	
8	2DP-H592A-20	SENSOR, OXYGEN	1	
9	B48-H3755-01	SENSOR, SPEED	1	
10	91312-06014	BOLT, HEXAGON SOCKET HEAD	1	
11	BK6-H6110-00	SOLENOID	1	
12	BK6-H1847-00	.O-RING	1	
13	95D32-06016	BOLT, FLANGE DEEP RECESS	2	
14	BK6-H1861-00	GASKET	1	
15	BK6-H1960-00	RECTIFIER & REGULATOR ASSY	1	
16	95D02-06025	BOLT, FLANGE DEEP RECESS	2	
17	5TP-H1940-00	STARTER RELAY ASSY	1	
18	1PA-H2576-00	SENSOR, LEAN ANGLE	1	
19	BK6-H1950-00	RELAY ASSY	1	
20	90464-50800	CLAMP	6	
21	90464-36800	CLAMP	5	
22	1CK-H2599-01	COVER, CONNECTOR	1	
23	20P-H246B-02	COVER 1	1	
24	90119-06054	BOLT, WITH WASHER	1	
25	3XV-83350-22	FLASHER RELAY ASSY	1	
26	BK6-H3371-10	HORN	1	
27	95D32-06012	BOLT, FLANGE DEEP RECESS	1	

FIG. 43 ELECTRICAL 2



B2S3440-V430

REF. NO.	PART NO.	DESCRIPTION	B2S4	REMARKS
28	55D-H5130-00	REAR REFLECTOR ASSY	1	

NUMERICAL INDEX

PART NO.	REF. NO.	PART NO.	REF. NO.	PART NO.	REF. NO.	PART NO.	REF. NO.	PART NO.	REF. NO.	PART NO.	REF. NO.
52S-12439-00	6 - 2	BK6-E1651-00	2 - 4	38B-E3440-00	7 - 7	2ND-E6321-00	13 - 8	BK6-F117W-00	34 - 37	BK6-F1946-00	17 - 2
3AH-22222-00	22 - 22	BK6-E1681-00	2 - 6	2PK-E3447-00	7 - 9	BK6-E6321-00	13 - 10	1WD-F1278-00	34 - 48	BK6-F2110-00	20 - 1
31A-23125-31	22 - 7	BK6-E2111-00	3 - 1	BK7-E3516-00	5 - 11	BK6-E6324-00	13 - 12	3C1-F1338-00	6 - 22	2PK-F2128-01	20 - 5
	22 - 29	B63-E2113-00	3 - 4	2FB-E3556-00	8 - 10	BK6-E6325-00	13 - 11	BK6-F135F-00	20 - 2	BK6-F2141-00	20 - 6
31A-23149-31	22 - 6	2DP-E2117-00	3 - 6	BK6-E3557-00	8 - 11	BK6-E6331-00	13 - 9	BK6-F144G-10	31 - 31	BK6-F2151-00	20 - 8
	22 - 28	5TL-E2118-00	3 - 5	BK6-E3585-00	8 - 1	BK6-E6333-00	13 - 14	BK6-F1511-00-P1	18 - 1	2PK-F217A-00	20 - 11
3R4-23153-00	22 - 4	54P-E2119-00	3 - 3	BK6-E3750-00	8 - 14	BK6-E6337-00	13 - 17	BK6-F1511-00-P5	18 - 1	2PK-F217F-00	20 - 15
	22 - 26	BK6-E2121-00	3 - 2	BK6-E3761-00	8 - 5	3C1-E6344-00	13 - 21	BK6-F1511-00-WN	18 - 1	BK6-F2184-00	20 - 4
4V4-23188-L0	22 - 18	50C-E2126-00	3 - 7	BK6-E3767-00	8 - 13	BK6-E6345-00	13 - 25	B17-F1568-00	23 - 45	BK6-F2210-00	20 - 25
	22 - 35	BK6-E2150-00	3 - 8	BK6-E3770-00	8 - 4	BK6-E6351-00	13 - 13	BK6-F160E-00	18 - 20	BK6-F2311-00	20 - 18
5VC-23462-00	22 - 38	21C-E2156-00	4 - 1	BK6-E3907-00	23 - 17	BK6-E6352-00	13 - 16	BK6-F1611-00	18 - 5	BK6-F2327-10	17 - 9
5XT-25802-50	28 - 5	5YP-E2157-01	4 - 8	54P-E3938-00	8 - 8	3C1-E6356-10	13 - 19	BK6-F1613-00	18 - 15	BK6-F247A-00	19 - 29
3JD-25803-50	28 - 6	BK6-E2160-00	3 - 13	BK6-E3971-00	23 - 22	1PA-E6357-00	13 - 26	BK6-F1617-00	18 - 13	BK6-F3102-10	22 - 1
5XT-25827-00	28 - 15	BK6-E2166-00	3 - 9	54P-E4137-00	8 - 9	3C1-E6358-00	13 - 18	BK6-F1629-01	18 - 10	BK6-F3103-10	22 - 19
36Y-2589H-00	30 - 6	BK6-E2170-01	4 - 3	54P-E4147-00	8 - 6	BK6-F6371-00	13 - 7	BK6-F162R-00-P1	18 - 9	BK6-F3110-00	22 - 2
3SP-25919-51	28 - 9	2PV-E2210-01	4 - 16	5CA-E4147-00	8 - 7	BK7-E6380-00	13 - 24	BK6-F162R-00-P7	18 - 9	BK6-F3111-00	22 - 17
3SP-25924-51	28 - 13	BK6-E2213-00	4 - 17	BK6-E4199-00	8 - 2	BK6-E6774-00	13 - 15	BK6-F162R-00-WN	18 - 9		22 - 34
3SP-25926-51	28 - 12	BK6-E2226-00	3 - 11	BK6-E4411-01	8 - 16	3C1-E7121-00	14 - 7	B2S-F1641-00	18 - 27	BK6-F3117-00	22 - 14
5BU-27234-00	32 - 15	54P-E2228-00	4 - 14	BK6-E4412-00	8 - 17	5D7-E7131-00	14 - 5	BK6-F1650-00	20 - 21	BK6-F3118-00	22 - 15
3WP-81980-00	42 - 13	B65-E2231-00	4 - 12	BK6-E441J-00	8 - 24	BK6-E7151-00	14 - 2	BK6-F1653-00	18 - 25	BK6-F3120-00	22 - 9
3XV-83350-22	43 - 25	BK6-E2241-00	4 - 13	5TL-E443E-00	8 - 22	BK6-E7161-00	14 - 6	B92-F1668-00	20 - 26	BK6-F3126-10	22 - 20
BK6-E1102-00	1 - 1	BK6-E2256-00	4 - 15	BK6-E4450-00	8 - 18	3C1-E7211-00	14 - 13	BK6-F1711-00	19 - 1		22 - 31
2DP-E111F-00	4 - 9	BK6-E2279-00	3 - 12	BK6-E4452-00	8 - 20	BK6-E7221-00	14 - 21	45P-F1717-00	19 - 2	BK6-F3141-00	22 - 13
2DP-E1133-10	1 - 2	BK6-E2280-00	4 - 6	BK6-E4453-00	8 - 19	BK6-E7231-00	14 - 19		19 - 9		22 - 23
BK6-E1165-00	1 - 8	BK6-E2288-00	4 - 7	BK7-E4613-00	9 - 5	BK6-E7241-00	14 - 18	BK6-F171E-00	19 - 21	B48-F3144-00	22 - 3
BK7-E1166-00	8 - 27	BK6-E2405-00	6 - 8	BK6-E4703-20	9 - 1	BK6-E7251-00	14 - 15	BK6-F171X-00	19 - 23		22 - 25
BK6-E1169-00	1 - 9	BK6-E2410-00	6 - 1	BK6-E4718-00	9 - 2	5D7-E7261-00	14 - 20	BK6-F1721-00	19 - 8	BK6-F3145-00	22 - 5
2DP-E1181-00	1 - 20	BK6-E2420-00	5 - 1	BK6-E4747-00	31 - 34	BK6-E7411-00	14 - 1	BK6-F172G-00-P0	34 - 13		22 - 27
BK7-E1185-00	5 - 5	BK7-E2422-00	5 - 2	BK6-E4799-00	9 - 3	BK6-E7421-00	14 - 12	BK6-F172G-00-P4	34 - 13	2BU-F3158-00	22 - 11
BK6-E1191-00	1 - 7	2DP-E2428-00	5 - 4	2PV-E5113-00	11 - 9	1S7-E7456-00	14 - 29	BK6-F172G-00-WN	34 - 13	BK6-F3170-00	22 - 10
B3F-E1193-00	1 - 15	BK7-E2435-00	5 - 10	BK6-E5150-00	10 - 1	3C1-E7471-00	14 - 10	BK6-F172H-00-P0	34 - 15	BK6-F3171-00	22 - 8
2DP-E1311-10	1 - 24	BK7-E2443-00	5 - 13	1S7-E5351-00	7 - 3	38B-E8101-00	16 - 4	BK6-F172H-00-P4	34 - 15		22 - 30
BK6-E132G-00	1 - 13	BK7-E2450-00	5 - 6	BK6-E5362-00	11 - 17	BK7-E8110-00	16 - 9	BK6-F172H-00-WN	34 - 15	31B-F3181-00	22 - 12
BK6-E1351-00	1 - 25	BK6-E2460-00	6 - 7	BK6-E5411-00	11 - 1	BK7-E8112-00	16 - 14	BK6-F1731-00-P1	19 - 15	BK6-F319U-00	22 - 24
BK6-E1361-00	1 - 16	BK6-E2467-00	6 - 17	BK6-E5418-00	11 - 10	20P-E8113-00	16 - 10	BK6-F1731-00-P7	19 - 15	BK6-F330G-00	22 - 21
BK6-E1362-00	1 - 17	BK6-E246E-00	6 - 23	BK6-E5421-00	11 - 12	BK7-E8115-00	16 - 11	BK6-F1731-00-WN	19 - 15	BK6-F332K-00	22 - 32
BK6-E1400-00	2 - 1	BK6-E2481-00	6 - 18	BK6-E5441-00	4 - 18	BK6-E8140-00	16 - 1	B2S-F173E-70	19 - 40	BK6-F3340-00	22 - 36
BK6-E1412-00	2 - 2	BK6-E2482-00	6 - 20	BK6-E5451-00	11 - 2	BK6-E8337-00	16 - 3	B2S-F173E-80	19 - 40	BK6-F3357-00	22 - 16
BK6-E1422-00	2 - 5	BK6-E2483-00	6 - 4	BK6-E5461-00	11 - 13	2ND-E8511-00	15 - 4	B2S-F173E-90	19 - 40	BK6-F3393-00	22 - 33
BK7-E1454-00	2 - 21	5P0-E2590-00	6 - 11	B48-E5514-00	12 - 1	2ND-E8512-00	15 - 5	B2S-F173F-60	19 - 41	4FP-F3411-20	21 - 2
21C-E1496-20	2 - 16	BK7-E2615-00	5 - 9	BK7-E5521-00	12 - 2	2ND-E8513-00	15 - 6	B2S-F173F-70	19 - 41	4FP-F3412-10	21 - 3
BK6-E1531-10	2 - 22	5YP-E2671-00	6 - 10	2PV-E5524-10	12 - 3	1PA-E8531-00	15 - 7	B2S-F173F-80	19 - 41	5BP-F3416-10	21 - 5
BK6-E1536-00	2 - 15	5YP-E2675-00	6 - 9	2TP-E5580-00	12 - 6	BK6-E8540-00	15 - 1	BK6-F1741-00-P1	19 - 18	1PA-F3418-00	21 - 8
BK6-E1549-00	2 - 7	BK7-E2842-00	5 - 7	3C1-E6111-00	13 - 1	5TP-E8542-00	15 - 2	BK6-F1741-00-P7	19 - 18	5VL-F341E-10	21 - 4
BK6-E1557-00	3 - 10	BK6-E3300-00	7 - 1	54B-E6144-00	13 - 20	BK6-F1110-13	17 - 1	BK6-F1741-00-WN	19 - 18	BK6-F3435-00	21 - 9
BK6-E1603-00	2 - 14	2PV-E3324-00	7 - 8	BK6-E6150-00	13 - 5	BK6-F112C-00	17 - 10	BK6-F1817-02	19 - 28	20P-F3469-00	29 - 5
BK6-E1631-00	2 - 11	3C1-E3327-00	7 - 13	2ND-E6154-00	13 - 6	BK6-F112D-00	17 - 11	BK6-F1871-00	19 - 26		34 - 25
2DP-E1633-00	2 - 12	38B-E3411-00	7 - 4	38B-E6193-00	13 - 2	BK6-F117V-00	34 - 26	1S7-F1875-01	19 - 27	5BP-F3873-01	21 - 1

NUMERICAL INDEX

PART NO.	REF. NO.	PART NO.	REF. NO.	PART NO.	REF. NO.	PART NO.	REF. NO.	PART NO.	REF. NO.	PART NO.	REF. NO.
5BP-F3875-00	22 - 37	B97-F5376-00	27 - 9	BK6-F6121-00	29 - 1	BK6-F836K-00	33 - 23	2UP-H2310-00	42 - 1	3KA-H3913-00	41 - 7
BK6-F4110-00	23 - 1	B97-F5377-00	27 - 17	BK6-F6122-00	29 - 2	BK6-F836L-00	33 - 27	BK6-H2370-00	42 - 4	38B-H3922-00	30 - 9
BK6-F4129-00-P0	23 - 29	5BP-F5381-00	27 - 16	1S7-F622F-00	29 - 11	BK6-F836M-00	33 - 31	20P-H246B-02	43 - 23	3AY-H3936-00	18 - 26
BK6-F4129-00-P5	23 - 29	B97-F5383-00	27 - 18	1S7-F622H-00	29 - 10	BK6-F837L-00	33 - 7	B2S-H2530-00	42 - 11		30 - 20
BK6-F4129-00-P7	23 - 29	1CK-F5388-00	27 - 21	BK7-F6240-01	29 - 6	BK6-F837M-00	33 - 10	BK6-H2540-01	43 - 3	3KA-H3945-00	41 - 9
BK6-F412Y-00	23 - 2	BK6-F5414-00	27 - 13	20P-F6241-00	29 - 7	BK6-F837V-01	34 - 34	BK6-H2568-00	42 - 9	45P-H395W-00	41 - 4
BK6-F4139-00-P0	23 - 37	BK6-F5448-00	27 - 10	BK7-F6246-00	29 - 8	BK6-F837W-01	34 - 45	1PA-H2576-00	43 - 18	BK6-H3963-00	41 - 2
BK6-F4139-00-P5	23 - 37	3C1-F5802-00	26 - 4	1S7-F6257-00	29 - 9	BK6-F8381-00	34 - 1	B2S-H2590-00	42 - 12	BK6-H3972-00	41 - 1
BK6-F4139-00-P7	23 - 37	3C1-F5803-50	26 - 5	55C-F6259-00	32 - 21	BK6-F8385-00-P2	33 - 13	1CK-H2599-01	43 - 22	45P-H3980-00	30 - 12
B74-F414B-10	23 - 46	3C1-F5805-10	26 - 12	BK7-F6280-00	34 - 19	BK6-F8385-00-P5	33 - 13	3KA-H2911-00	41 - 5	BK6-H4300-00	39 - 1
	23 - 47	B97-F5806-00	28 - 4	BK7-F6290-00	34 - 20	BK6-F8385-00-WN	33 - 13	5BP-H2917-00	41 - 8	BK6-H4547-00	40 - 6
BK6-F414E-00	23 - 36	B97-F5808-00	32 - 2	BK6-F6311-00	29 - 13	B2S-F8393-70	34 - 49	B2S-H3310-00	37 - 1	BK7-H4710-00	40 - 1
	23 - 44	BK6-F580E-00	32 - 1	BK6-F6312-00	29 - 14	B2S-F8393-80	34 - 49	55D-H3311-00	37 - 2	1CK-H4726-00	40 - 7
BK6-F414G-00	23 - 28	B48-F580U-01	26 - 3	BK6-F6315-00	29 - 15	B2S-F8393-90	34 - 49		37 - 9	BK6-H4740-00	40 - 4
54P-F414G-10	23 - 20	B97-F580W-00	28 - 3	BK6-F6335-00	29 - 17	BK6-F8395-00-P2	33 - 18		37 - 17	1WD-H4744-00	40 - 5
5D9-F414G-10	23 - 13	5HH-F5824-00	28 - 10	3RS-F6372-00	29 - 18	BK6-F8395-00-P5	33 - 18		37 - 24	2FC-H5111-00	18 - 31
B2S-F4161-10	23 - 48	5HH-F5825-51	28 - 14	BK7-F7211-00	31 - 26	BK6-F8395-00-WN	33 - 18	1VP-H3318-00	37 - 15	55D-H5130-00	43 - 28
B2S-F4161-20	23 - 48	50C-F582A-50	32 - 5	50C-F7222-00	32 - 4	B2S-F8398-60	33 - 34		37 - 30	BK6-H5546-00	43 - 2
BK6-F4181-00	23 - 3	BK6-F582U-00	26 - 1	45P-F7261-00	31 - 30	B2S-F839A-70	33 - 35	B2S-H331E-00	37 - 5	BK6-H5752-00	23 - 18
BK8-F4188-00	23 - 14	BK6-F582W-00	28 - 1	BK6-F7311-00	31 - 1	B2S-F839A-80	33 - 35	B2S-H3320-00	37 - 8	BK6-H591A-00	43 - 1
BK6-F4191-00	23 - 8	45P-F583T-01	30 - 2	BK6-F7404-10	31 - 19	B2S-F839A-90	33 - 35	55D-H3323-00	37 - 11	2DP-H592A-20	43 - 8
BK6-F41B1-00-P2	23 - 25	3C1-F5852-00	30 - 5	BK6-F7410-00	31 - 9	B2S-F839E-70	33 - 36		37 - 19	BK6-H6110-00	43 - 11
BK6-F41B1-00-P3	23 - 25	BK6-F5852-00	32 - 9	5BP-F7411-00	31 - 11	B2S-F839E-80	33 - 36	B2S-H332E-00	37 - 12	5P0-W0041-00	30 - 3
BK6-F41B1-00-WN	23 - 25	2VN-F5854-00	32 - 11	BK6-F741L-00	31 - 44	B2S-F839E-90	33 - 36	55D-H332M-00	37 - 4	4C9-W0048-00	26 - 6
BK7-F4312-00	23 - 23	3RW-F5854-00	30 - 4	BK6-F742L-00	31 - 45	BK6-F8417-00	19 - 34		37 - 26	BK6-XH250-01	42 - 8
BK6-F4491-00	23 - 19	3C1-F5855-00	30 - 8	45P-F7431-00	31 - 36	BK6-F841F-00	19 - 37	B2S-H3330-00	37 - 16	90101-08006	27 - 22
BK7-F4710-00	24 - 1	50C-F5855-00	32 - 10	1WD-F7437-00	31 - 40	BK6-F8483-00	34 - 21	55D-H3333-00	37 - 6	90105-06169	23 - 6
BK6-F4728-00	24 - 3	50C-F5866-00	32 - 6	45P-F7441-00	31 - 37	BK6-F8484-00	34 - 22		37 - 13		23 - 11
4LS-F4741-00	24 - 2	3RW-F5867-00	30 - 7	BK6-F7442-00	31 - 8	BK6-H1410-02	35 - 2		37 - 21	90105-08002	34 - 18
	24 - 9	BK6-F5872-00	30 - 1	BK6-F7443-00	31 - 20	2PV-H1450-01	35 - 1		37 - 28	90105-08180	31 - 46
55C-F4742-00	32 - 20	BK6-F5873-00	32 - 24	20P-F7451-00	31 - 10	BK6-H1800-00	36 - 1	55D-H333A-00	37 - 10	90105-10006	21 - 11
BK7-F4750-00	24 - 8	BK6-F5876-00	30 - 19	20P-F7461-00	31 - 21	2PH-H1801-10	36 - 2		37 - 18	90105-10886	17 - 7
BK6-F475H-00	24 - 6	BK6-F587A-00	20 - 24	B2S-F7473-00	31 - 42	5D9-H1828-00	36 - 5	B2S-H333E-00	37 - 20	90105-10887	20 - 14
BK6-F475J-00	24 - 12	BK6-F5886-00	30 - 17	BK6-F8100-00	17 - 12	1FD-H183G-00	36 - 3	B2S-H3340-00	37 - 23	90105-10888	31 - 3
BK6-F475X-00	24 - 10	BK6-F5887-00	30 - 21	BK6-F8283-00	19 - 32	BK6-H1847-00	43 - 12	55D-H334A-00	37 - 3	90105-108B7	17 - 6
BK6-F4796-00	24 - 5	50C-F5888-00	32 - 22	BK6-F8284-00	19 - 33	5D9-H1861-00	36 - 4		37 - 25	90109-05014	23 - 34
21C-F510C-10	25 - 2	50C-F5894-11	32 - 8	28D-F834E-00	18 - 11	BK6-H1861-00	43 - 14	B2S-H334E-00	37 - 27		23 - 42
BK6-F5168-00-33	25 - 1	BK6-F5895-00	32 - 13	BK6-F8351-00-P0	34 - 3	5TP-H1940-00	43 - 17	55D-H3358-00	37 - 7	90109-06202	18 - 23
BK6-F5168-00-P0	25 - 1	50C-F589A-00	32 - 14	BK6-F8351-00-P1	34 - 3	BK6-H1948-00	18 - 18		37 - 14	90109-06220	19 - 31
BK6-F5168-00-P1	25 - 1	5HH-F5914-00	28 - 11	BK6-F8351-00-P6	34 - 3	BK6-H1950-00	43 - 19		37 - 22	90109-06279	16 - 2
BK6-F5181-00	25 - 8	5HH-F5917-00	28 - 8	BK6-F8356-00	34 - 17	BK6-H1960-00	43 - 15		37 - 29	90109-06577	30 - 10
1CK-F5186-00	25 - 7	5YP-F5917-00	26 - 8	BK6-F835G-00	34 - 7	14D-H2100-00	42 - 5	BK6-H3371-10	43 - 26	90109-068B2	19 - 17
B97-F530S-00	27 - 2	5P0-F5919-01	26 - 10	BK6-F835U-00-P0	33 - 1	14D-H2100-10	42 - 5	BK6-H3500-02	38 - 1		19 - 20
BK6-F5338-00-33	27 - 1	5YP-F5924-00	26 - 11	BK6-F835U-00-P1	33 - 1	BK6-H2115-00	42 - 7	BK6-H3519-00	38 - 7		23 - 27
BK6-F5338-00-P0	27 - 1	5YP-F5925-01	26 - 9	BK6-F835U-00-P7	33 - 1	3C1-H2131-00	42 - 6	BK6-H3571-01	38 - 2	90109-086F8	31 - 15
BK6-F5338-00-P1	27 - 1	5HH-F5937-00	28 - 7	BK6-F835V-00-P0	33 - 4	45P-H2133-00	41 - 3	54P-H3591-00	43 - 6		31 - 22
B97-F5364-00	27 - 4	5YP-F5937-00	26 - 7	BK6-F835V-00-P1	33 - 4	B65-H2151-10	42 - 14	B48-H3755-01	43 - 9	90110-05806	23 - 15
BK6-F5366-01	27 - 6	5YP-F5939-00	26 - 13	BK6-F835V-00-P7	33 - 4	B65-H2151-80	42 - 15	2TP-H3912-00	41 - 6	90110-06215	23 - 12

NUMERICAL INDEX

PART NO.	REF. NO.	PART NO.	REF. NO.	PART NO.	REF. NO.	PART NO.	REF. NO.	PART NO.	REF. NO.	PART NO.	REF. NO.
90110-06378	1 - 23	90179-12808	13 - 4	90269-06816	18 - 8	90450-27806	6 - 21	90508-32837	16 - 5	93210-15620	32 - 7
90110-06846	8 - 15	90179-25615	21 - 6		18 - 16	90450-43805	8 - 30	90520-02838	34 - 4	93210-19809	5 - 15
90110-06873	12 - 7	90183-05067	34 - 36		18 - 24	90464-12036	34 - 30	90520-10840	34 - 8	93210-198F9	11 - 18
90110-08803	31 - 18		34 - 47		19 - 7		34 - 41	90520-10841	34 - 9	93210-21801	43 - 4
	31 - 35	90183-050A7	18 - 12		19 - 14	90464-36800	43 - 21	91312-05016	4 - 2	93210-26805	36 - 6
90110-08839	23 - 7	90183-05807	18 - 6		33 - 8	90464-50800	43 - 20	91312-06014	43 - 10	93210-32816	11 - 8
90110-10025	31 - 16		19 - 16		33 - 11	90467-08003	19 - 30	91312-06016	35 - 4	93210-34802	7 - 6
90111-05808	7 - 2		19 - 19		33 - 26	90467-11825	8 - 29	91312-06020	8 - 3	93210-39803	5 - 12
90111-06117	33 - 17		19 - 24		33 - 30	90467-12052	8 - 28	91312-06025	35 - 3	93210-54805	7 - 12
	33 - 22		23 - 26		33 - 33	90467-12085	32 - 12	91312-10040	22 - 39	93306-000Y3	5 - 8
	34 - 32		33 - 2		34 - 33	90467-12800	8 - 23	91317-06020	29 - 4	93306-001YJ	4 - 5
	34 - 43		33 - 5		34 - 44	90467-19803	6 - 5	91317-06030	29 - 12	93306-054XC	27 - 7
90111-06137	18 - 4		33 - 14	90280-03017	2 - 10	90467-20804	8 - 25		34 - 23	93306-054XF	14 - 8
90111-06177	42 - 10		33 - 19	90282-05031	2 - 26	90467-20806	6 - 6	91317-08020	29 - 3	93306-203XK	2 - 24
90111-06807	9 - 4		34 - 5	90338-09803	30 - 13	90480-01558	18 - 21	91332-05010	23 - 16		2 - 25
90111-08089	26 - 2		34 - 11	90340-12813	1 - 3		19 - 3		23 - 21	93306-252YN	14 - 9
	28 - 2		34 - 27	90340-14824	11 - 5		19 - 10	91337-08030	21 - 10	93306-252YP	25 - 4
90116-08846	27 - 11		34 - 38	90340-32823	11 - 7		19 - 35	91401-20012	32 - 18		27 - 3
90119-05022	18 - 17		40 - 2	90387-06131	34 - 24		19 - 38	91401-25015	31 - 14	93306-253X2	14 - 25
90119-06051	8 - 26	90201-05036	38 - 4	90387-06205	18 - 2		23 - 24		31 - 25	93306-272YC	14 - 26
90119-06054	43 - 24		39 - 4	90387-064W3	6 - 15	90480-01559	23 - 30		31 - 43	93306-305X7	2 - 8
90119-06810	17 - 5	90201-06078	18 - 30	90387-066J9	18 - 14		23 - 38	91701-08035	31 - 13	93306-305XV	2 - 9
90123-08046	41 - 14	90201-06880	6 - 14	90387-06899	23 - 32		33 - 24	91702-08042	31 - 41	93310-325YC	12 - 4
90149-05801	1 - 10	90201-08066	32 - 17		23 - 40		33 - 28	91810-14809	1 - 21	93310-526YT	2 - 3
90149-08220	9 - 8	90201-08612	9 - 7		33 - 16	90480-01803	6 - 16		1 - 22	93315-112Y8	13 - 28
90149-10804	26 - 14	90201-08859	1 - 18		33 - 21	90480-12805	18 - 3		10 - 2	93315-317Y1	20 - 12
90150-05023	34 - 6	90201-10021	31 - 28		34 - 29		23 - 31		11 - 3	93317-218Y1	20 - 3
90151-03005	41 - 10	90201-10118	30 - 16		34 - 40		23 - 39		11 - 14	93410-20038	14 - 4
90159-05011	23 - 33		32 - 26	90387-068B2	23 - 5	90480-12808	33 - 15	92012-06010	31 - 32	93410-22039	14 - 17
	23 - 41	90201-12019	13 - 3		23 - 10		33 - 20	92012-06016	20 - 10		14 - 23
90159-06817	18 - 7		35 - 6	90387-068C5	17 - 4		34 - 28		20 - 19	93450-16115	2 - 13
	19 - 5	90201-15814	27 - 20	90387-068S1	20 - 9		34 - 39		20 - 22	93501-04830	31 - 39
	19 - 12	90201-15821	2 - 17		20 - 20	90480-13398	34 - 10	92012-08020	32 - 19	93505-16844	13 - 27
90160-05012	39 - 2	90201-173F4	14 - 24		20 - 23	90480-13567	17 - 3	92902-06200	16 - 12	93604-08800	2 - 20
90160-05812	19 - 4	90201-173U5	31 - 17	90387-06M30	42 - 3	90480-14004	38 - 6	92902-10600	31 - 5	93608-30839	16 - 7
	19 - 11	90201-22793	14 - 22	90387-08842	31 - 33	90480-14229	39 - 3	93101-10843	11 - 19	93822-14800	14 - 28
	33 - 3	90201-25290	12 - 5	90387-10003	31 - 4	90480-15363	6 - 12	93102-08800	1 - 14	93900-00824	25 - 6
	33 - 6	90202-26142	21 - 7	90387-10814	20 - 13		23 - 4	93102-12862	13 - 29		27 - 15
	33 - 9	90208-20003	13 - 31	90387-15810	2 - 23		23 - 9	93102-12891	16 - 8	94110-17823	25 - 5
	33 - 12	90209-10020	21 - 12	90387-17804	14 - 14	90501-06022	15 - 3	93102-22827	14 - 27	94114-17802	27 - 14
90170-10012	2 - 28	90209-17285	14 - 3	90401-10812	30 - 15	90501-06800	15 - 8	93103-10801	5 - 3	94568-J9096	4 - 11
90170-14801	13 - 23	90209-18208	14 - 16		32 - 25	90501-12743	31 - 38	93106-17801	20 - 17	94668-K1031	27 - 25
90173-06806	18 - 22	90214-10800	2 - 18	90430-06014	1 - 5	90501-16800	2 - 19	93106-22808	25 - 3	94700-00439	1 - 19
90179-04003	40 - 9	90215-10803	2 - 27		1 - 27	90501-18576	7 - 5		27 - 5	95022-06010	1 - 4
90179-05849	34 - 2	90215-14802	13 - 22	90430-10804	43 - 7	90506-26807	31 - 27	93106-26815	27 - 8		1 - 26
90179-08148	41 - 13	90240-08005	32 - 16	90445-19807	31 - 29	90506-28800	31 - 2	93210-09806	4 - 4		14 - 30
90179-10805	17 - 8	90240-08145	31 - 24	90445-21848	31 - 7	90508-183B9	31 - 12	93210-108H5	41 - 15	95022-06012	42 - 16
	20 - 16	90252-18800	16 - 13	90450-27806	6 - 19	90508-184B0	31 - 23	93210-148F8	11 - 6	95022-06014	4 - 10

NUMERICAL INDEX

PART NO.	REF. NO.	PART NO.	REF. NO.	PART NO.	REF. NO.	PART NO.	REF. NO.	PART NO.	REF. NO.	PART NO.	REF. NO.
95022-06014	18 - 28	97507-06525	41 - 12								
	19 - 36	97702-30016	38 - 3								
	19 - 39	97702-50012	19 - 6								
95022-06016	11 - 11		19 - 13								
95022-06020	6 - 3		19 - 25								
95022-06025	4 - 19		34 - 14								
	5 - 14		34 - 16								
95022-06030	1 - 11	97702-50014	38 - 5								
95022-06040	10 - 6	97702-50016	23 - 35								
	11 - 4		23 - 43								
	11 - 15		34 - 12								
95022-06045	10 - 4		34 - 31								
95022-06050	11 - 16		34 - 35								
95022-06055	10 - 3		34 - 42								
95022-06070	10 - 5		34 - 46								
95022-06090	11 - 20		39 - 5								
95022-08012	24 - 13		40 - 3								
95027-06010	30 - 18	97707-50012	19 - 22								
95302-08700	27 - 23	97707-50016	33 - 25								
	32 - 3		33 - 29								
95602-06100	30 - 11		33 - 32								
	41 - 11	97707-50025	8 - 21								
95602-06200	18 - 19	98502-05016	43 - 5								
95602-08200	24 - 11	98507-05012	29 - 16								
	27 - 12	98507-06025	32 - 23								
95602-12200	20 - 7	98512-06012	14 - 11								
95602-14200	25 - 9	98907-04020	40 - 8								
	27 - 19	99001-10600	16 - 6								
95607-06100	18 - 29	99009-20500	13 - 30								
95607-06200	24 - 4	99236-00180	33 - 37								
95612-08618	1 - 6		33 - 38								
95612-10100	31 - 6	99237-00180	33 - 37								
95702-08500	9 - 6		33 - 38								
95702-12500	35 - 5	99530-08012	1 - 12								
95707-05500	18 - 32	9X568-K1127	27 - 24								
95812-06030	8 - 12										
95D02-06010	38 - 8										
95D02-06025	43 - 16										
95D32-06012	43 - 27										
95D32-06016	43 - 13										
95D32-06025	6 - 13										
95E32-06010	24 - 7										
95E32-06012	7 - 14										
95E32-06020	7 - 10										
95E32-06080	7 - 11										
95E37-06025	30 - 14										
97012-06020	16 - 15										
97080-06020	42 - 2										